

SPARE PARTS

LINK TOWER
LED

SP037-18-00-00
23-05-2019

LINK TOWER

INDEX

1.	SPARE PARTS.....	6
1.1	COMMAND PANEL (TIMER VERSION)	6
1.2	COMMAND PANEL (LIGHT SENSOR VERSION)	7
1.3	COMMAND PANEL DOOR (ON REQUEST)	8
1.4	BASE	9
1.5	CARPENTRY	10
1.6	DOORS AND HANDLES	11
1.7	MAST BASE	12
1.8	TELESCOPIC MAST	13
1.9	4X240 W FLOODLIGHTS GROUP	14
1.10	4x185 W FLOODLIGHTS GROUP	15
1.11	LIGHTING TOWER STICKERS	16

LINK TOWER

GB - SPARE PARTS ORDER

Please be prepared to provide the following information when ordering spare parts:

- **Model**
- **Serial number**
- **Code and quantity.**

NOTE: Codes of painted parts in colors not listed must be specified when ordering (ending with [-CV] instead of [-V])

F - COMMANDES DE PIÈCES DÉTACHÉES

Pour commander les pièces détachées, toujours fournir:

- **modèle**
- **référence**
- **quantité de la pièce commandée**

NOTE: les références de pièces peintes d'une couleur non standard doivent être précisées avant la commande (la terminaison sera [-CV] au lieu de [-V])

D - ERSATZTEILE BESTELLEN

Halten Sie bei der Bestellung von Ersatzteilen folgende Informationen bereit:

- **modell**
- **Seriennummer**
- **Code und Menge**

HINWEIS: Die Teilecodes, die in anderen als den aufgelisteten Farben lackiert sind, müssen in der Reihenfolge angegeben werden (das letzte ist [-CV] anstelle von [-V])

NL - ONDERBELEN BESTELLEN

Bij het bestellen van reserve onderdelen verzoeken wij u de volgende gegevens te vermelden:

- **Machine model**
- **Machine serienummer**
- **Artikelnummer en hoeveelheid onderdelen**

Attentie: artikelnummers van onderdelen in een kleur die afwijkt van de standaard, moeten worden gespecificeerd (eindigt met [-CV] in plaats van [-V])

LINK TOWER

I - ORDINE DEI RICAMBI

In caso di ordine di ricambi siate pronti a fornire le seguenti informazioni:

- **Modello**
- **Numero di serie**
- **Codice e quantità**

NOTA: i codici di parti verniciate in colori diversi da quelli elencati devono essere specificati in fase di ordine (il finale sarà [-CV] invece di [-V])

E - PEDIDO DE REPUESTOS

Cuando solicite piezas de repuesto, prepárese para proporcionar la siguiente información:

- **Modelo**
- **Número de serie**
- **Código y cantidad**

NOTA: los códigos de partes pintadas en colores distintos a los enumerados deben especificarse en la orden (el final será [-CV] en lugar de [-V])

P - PEDIDO DE PEÇAS DE REPOSIÇÃO

Ao encomendar peças de reposição, esteja pronto para fornecer as seguintes informações:

- **Modelo**
- **Número de série**
- **Código e quantidade**

OBSERVAÇÃO: os códigos de peças pintadas em cores diferentes das listadas devem ser especificados na ordem (a final será [-CV] em vez de [-V])

SV - RESERVDLSBESTÄLLNING

Var beredd att ge följande information vid beställning av reservdelar:

- **Modell**
- **Serienummer**
- **Kod och mängd.**

ANMÄRKNING: Koderna till målade delar i färger som inte är listade måste anges när de beställs (slutar med [-CV] istället för [-V])

GENERAC MOBILE PRODUCTS S.r.l.

Via Stazione, 3 bis
27030 Villanova d'Ardenghi (PV)
ITALY

Tel.: +39 0382 567011

Fax: +39 0382 400247

Web site:

<http://www.towerlight.com>

E-mail:

info@towerlight.com

El-Björn AB

Postal address: PO Box 29, 334 21 Anderstorp, Sweden
Visiting address: Depågatan 6, 334 33 Anderstorp, Sweden

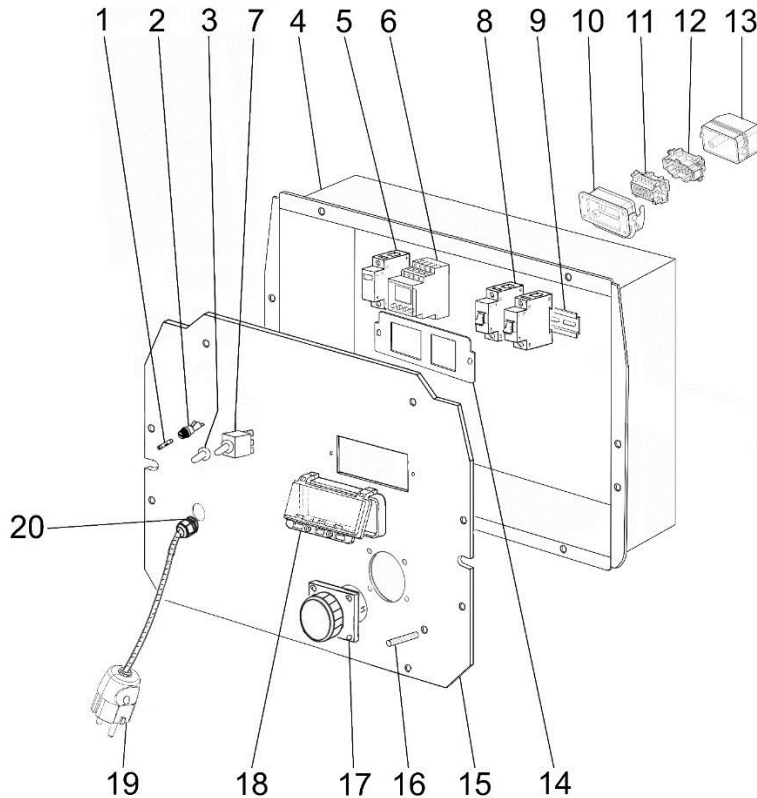
Telephone: +46 (0)371-588 100

E-mail: info@elbjorn.com

LINK TOWER

1. SPARE PARTS

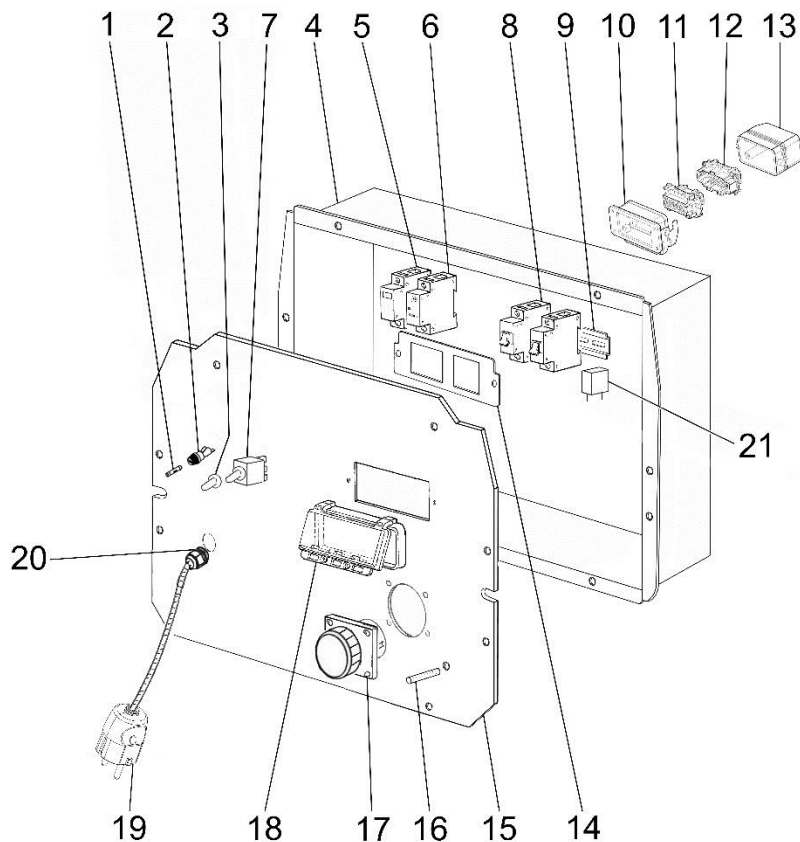
1.1 COMMAND PANEL (TIMER VERSION)



Items	Code	Denomination
1	15818	2 A 250 V 6.3x32 fuse
2	10046	6.3x32 fuse holder
3	7804	Rubber protection switch
4	16393-58-V	Command box (V=black painted)
5	13295	25 A 230 V 2NO contactor
6	12778	230 V digital astronomic timer
7	13216	3 position 2 way switch
8	12303	10 A 1P (PI 6kA) circuit breaker
9	7806-150	Support
10	13460-15	6P fixed enclosure with side hook
11	7571	6P female terminal board
12	7570	6P male terminal board
13	7569	6P flying enclosure straight exit
14	11675-15	Circuit breaker support
15	18493-X	Aluminium front plate
16	6840	Main Earth Terminal
17	16953	230÷240 V 16 A 2p+T IP68 Schuko single phase socket
18	12657	6P Wimex cover
19	7993	230÷240 V 16 A 2p+T Schuko single phase plug
19	CA0103025-1500	H07RNF 3G2,5 cable
20	7781	PG13,5 wire holder

LINK TOWER

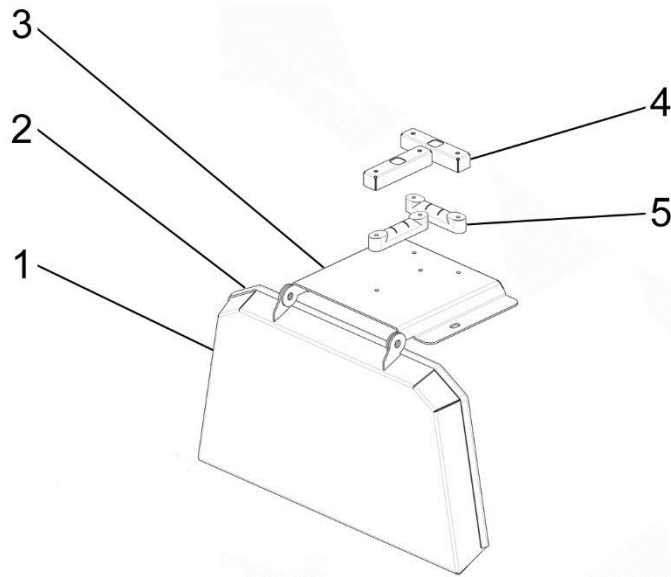
1.2 COMMAND PANEL (LIGHT SENSOR VERSION)



Items	Code	Denomination
1	15818	2 A 250 V 6.3x32 fuse
2	10046	6.3x32 fuse holder
3	7804	Rubber protection switch
4	16393-58-V	Command box (V=black painted)
5	13295	25 A 230 V 2NO contactor
6	10691	Light dependent relays with light sensor
7	13216	3 position 2 way switch
8	12303	10 A 1P (PI 6kA) circuit breaker
9	7806-150	Support
10	13460-15	6P fixed enclosure with side hook
11	7571	6P female terminal board
12	7570	6P male terminal board
13	7569	6P flying enclosure straight exit
14	11675-15	Circuit breaker support
15	18493-X	Aluminium front plate
16	6840	Main Earth Terminal
17	16953	230÷240 V 16 A 2p+T IP68 Schuko single phase socket
18	12657	6P Wimex cover
19	7993	230÷240 V 16 A 2p+T Schuko single phase plug
19	CA0103025-1500	H07RNF 3G2,5 cable
20	7781	PG13,5 wire holder
21	12767	4,7µF Capacitor

LINK TOWER

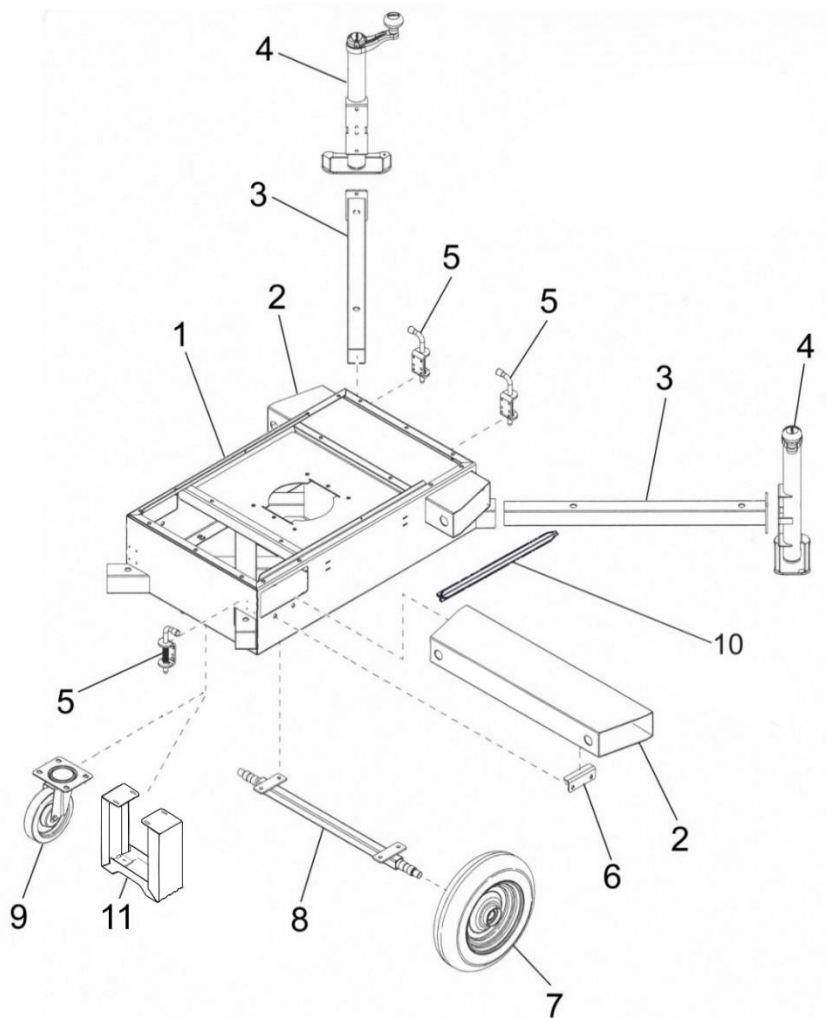
1.3 COMMAND PANEL DOOR (on request)



Items	Code	Denomination
1	17820-V	Command panel door (V=white painted)
2	7858-726	Gasket
3	17821-V	Command panel door support (V=white painted)
4	8194	Spirit level cover
5	7237	Spirit level

LINK TOWER

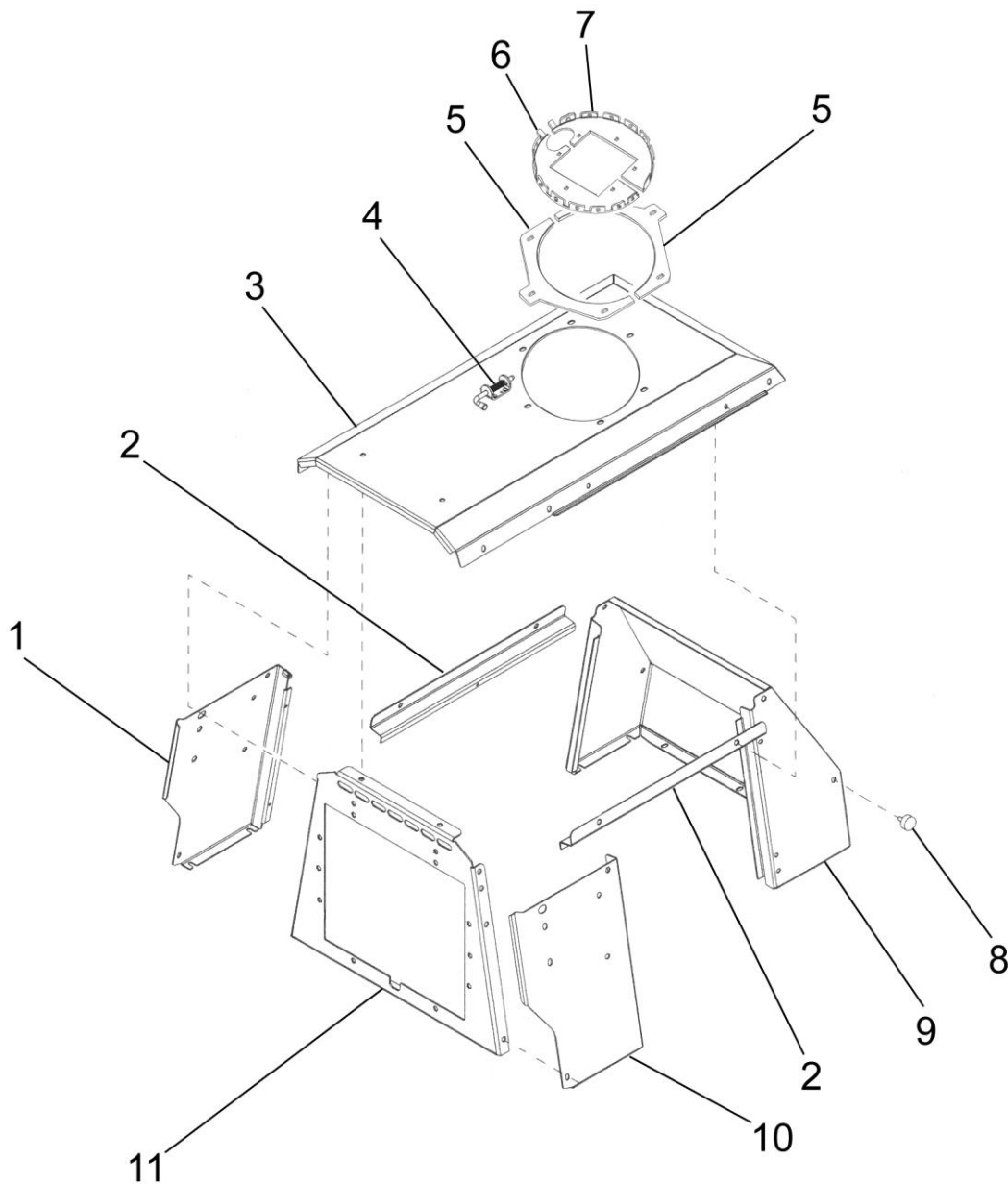
1.4 BASE



Items	Code	Denomination
1	18419-V	Base (V=black painted)
2	18467-Z	Tubular guide for forklift
3	16393-12-Z	Tubular stabilizer door
4	16718	Stabilizer
5	7654	Closing look pin
6	15451-07-Z	Plate for tubular forklift
7	7536	3.50/8 full wheel
8	16393-15-V	Axle (V=black painted)
9	16423	D.160 wheel
10 (¹)	11062-Z	L.500 mm earthing rod
10 (¹)	CAGV100-5000	Cable for earthing rod
11 (¹)	17642-V	Support foot (V=black painted)
(¹)		On request

LINK TOWER

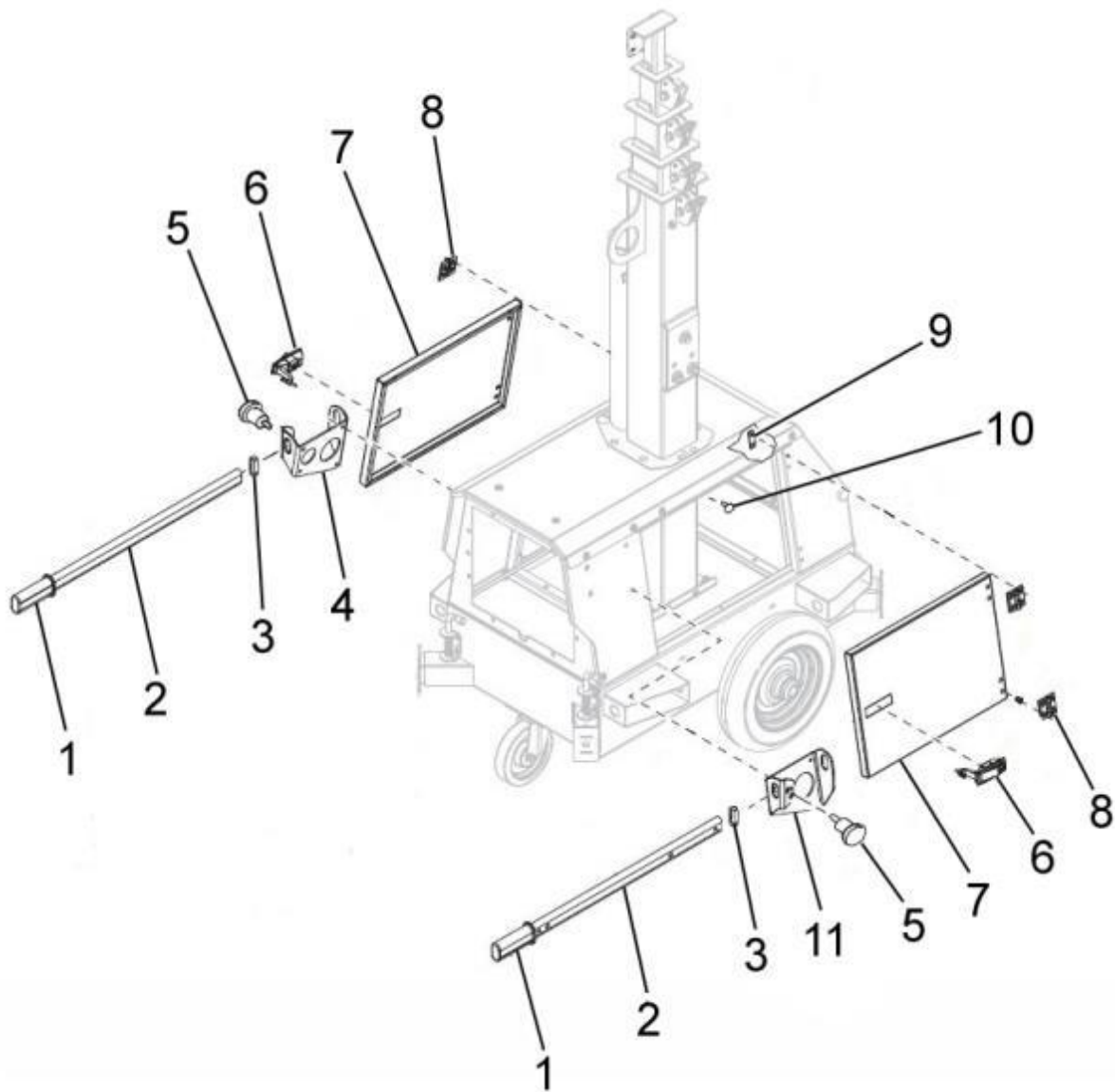
1.5 CARPENTRY



Items	Code	Denomination
1	16393-18-V	Left panel enclosure (V=white painted)
2	16393-39-V	Top door plate (V=white painted)
3	16393-52-V	Top cover (V=white painted)
4	8178	Closing lock pin
5	15451-27-Z	Mast guide flange
6	15451-28-DX-Z	Right mast guide flange
7	15451-28-SX-Z	Left mast guide flange
8	6943	D.25x10 1xM6 shock absorber
9	16393-20-V	Rear panel (V=white painted)
10	16393-19-V	Right panel enclosure (V=white painted)
11	16393-16-V	Front panel (V=white painted)

LINK TOWER

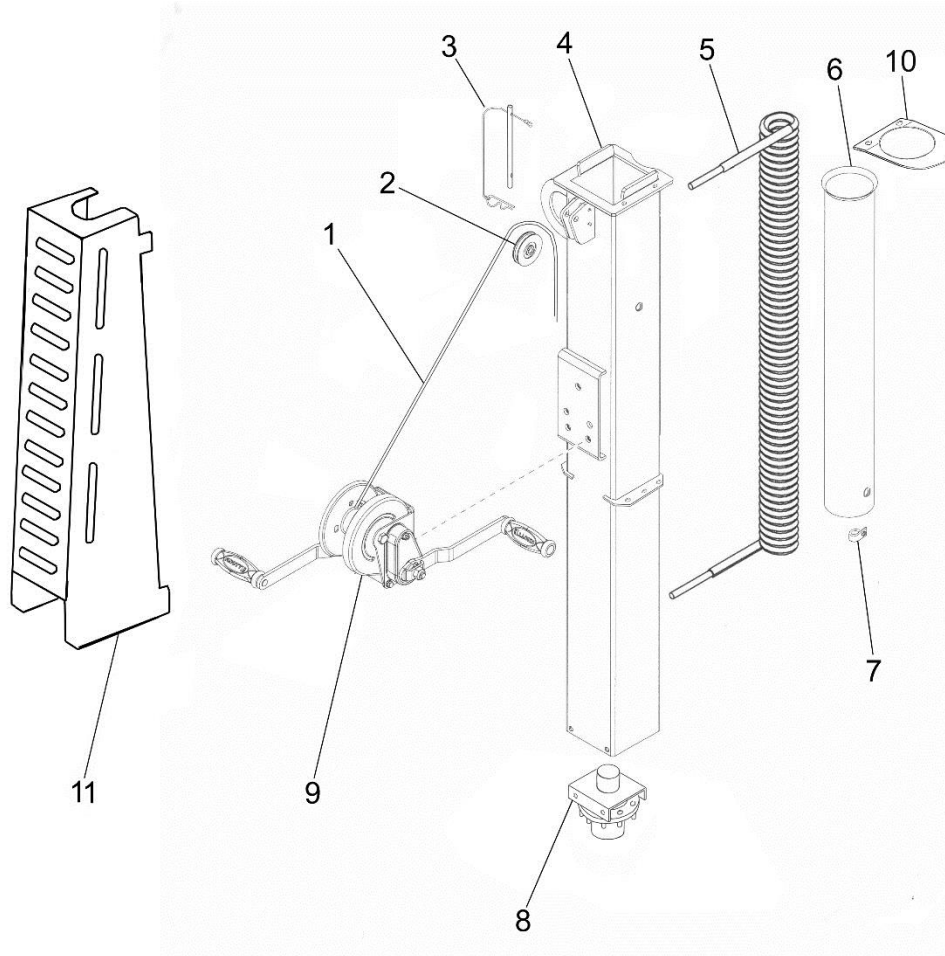
1.6 DOORS AND HANDLES



Items	Code	Denomination
1	1024	D.30 knob rubber
2	15451-B-Z	Handle
3	15582	40x20x2 oval cap for tubular
4	16393-25-Z	Left plate handle support
5	15581	Knob
6	16439	Lock for door
7	16393-26-V	Side door (V=white painted)
8	16406	Hinge
9	16393-37	Plate hinge mount
10	11588	Rubber dumper
11	16393-24-Z	Right plate handle support

LINK TOWER

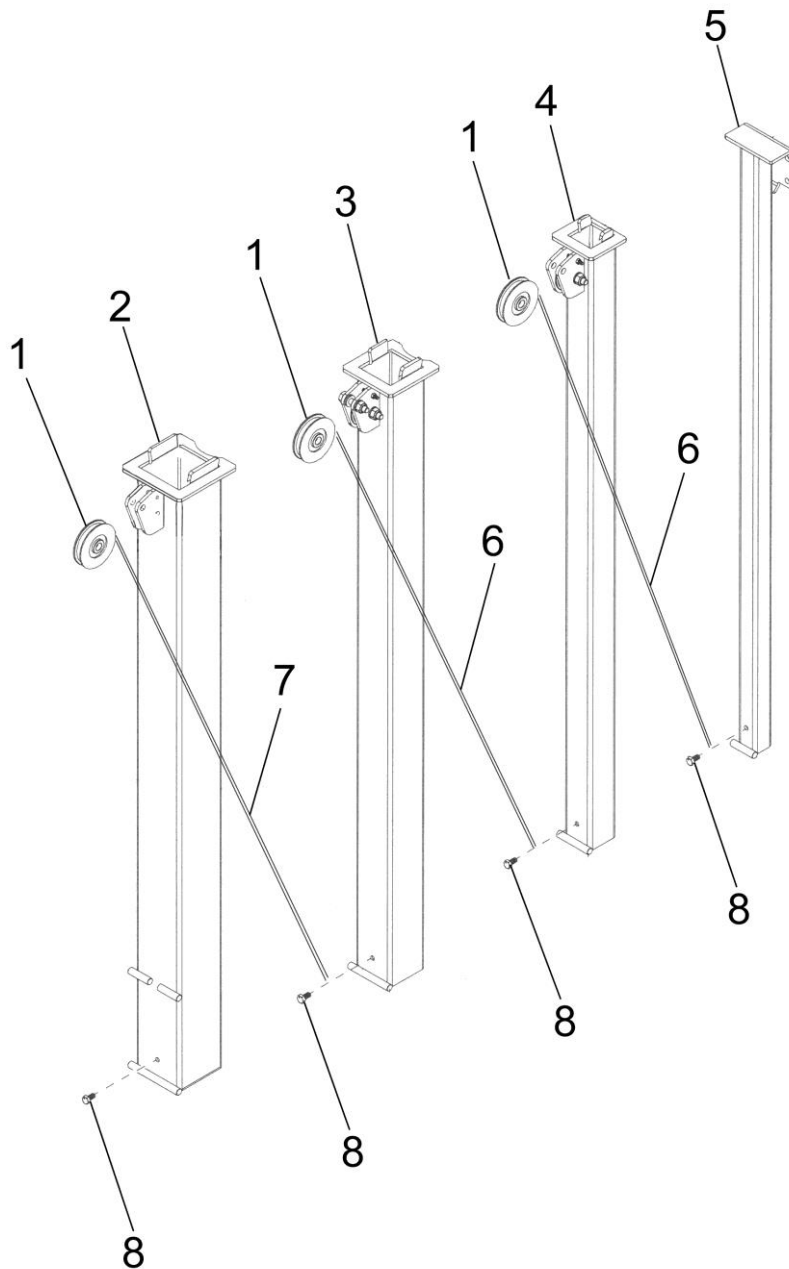
1.7 MAST BASE



Items	Code	Denomination
1	16785	Steel cable (l 2700 Ø 6)
2 ⁽¹⁾	13006	Ø 55-67 SKF High Rated wheel for steel cable
3	16765	Assembly security pin
4	15575-Z	1° section mast 120x120
5	6437	7Gx1,5 mm ² turn cable
6	17085	Tube cable guide
7	1055	RSGU1 10/15 clamp
8	15451-M-V	4p hub rotation mast (V=black painted)
9	16420	680 Kg dual handle manual winch
10	17085-02-Z	Tube cable guide support
11 ⁽²⁾	16393-120-V	Cable protection (V=black painted)
⁽¹⁾		Specify the diameter
⁽²⁾		On request

LINK TOWER

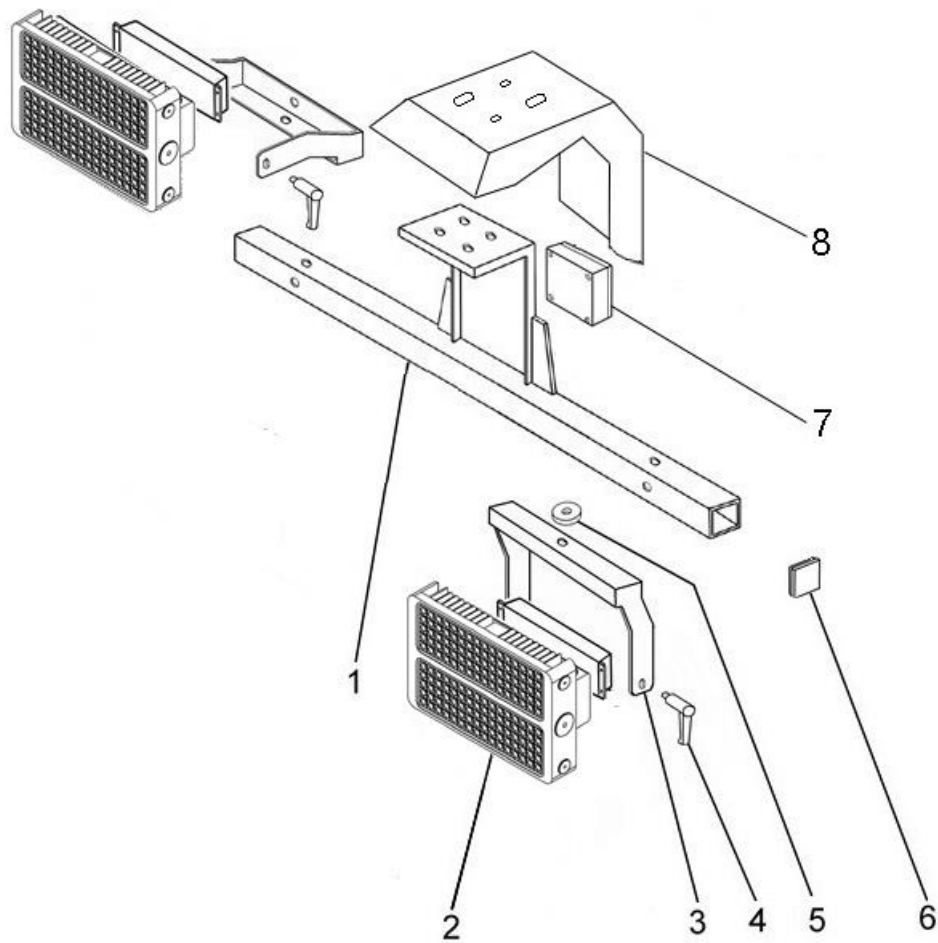
1.8 TELESCOPIC MAST



Items	Code	Denomination
1 ⁽¹⁾	13006	Ø 55-67 SKF High Rated wheel for steel cable
2	6067-Z	2° section mast 100x100
3	6068-Z	3° section mast 80x80
4	8051-Z	4° section mast 60x60
5	12352-Z	5° section mast 40x40
6	12991	Steel cable (l 1460 Ø 6)
7	12990	Steel cable (l 1440 Ø 6)
8	6234	Inox screw M8 H=4mm
⁽¹⁾		Specify the diameter

LINK TOWER

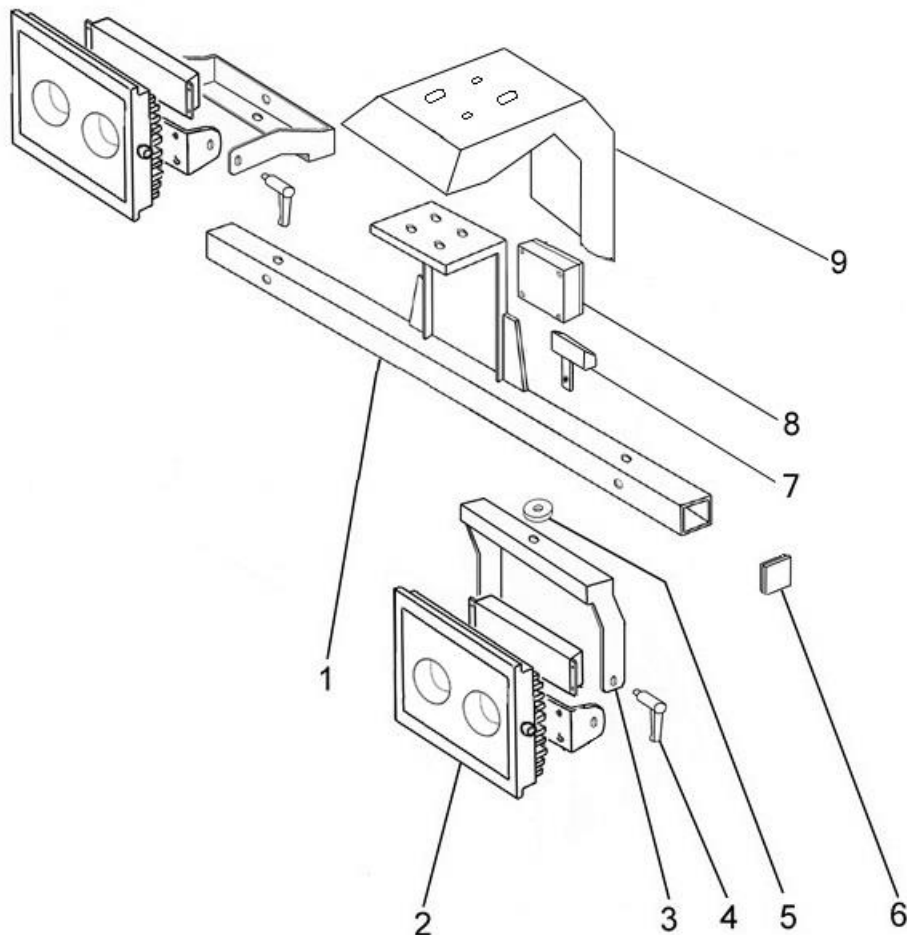
1.9 4X240 W FLOODLIGHTS GROUP



Items	Code	Denomination
1	13507-V	Floodlights support cruise (V=black painted)
2-3-4	18521	240W led floodlight with support, driver and handle
2	18521-01	240W led floodlight with driver
3	18522-V	Floodlight support (V=black painted)
4	18522-02	M8 hand lever
5	13636-04	H15 spacer
6	15585	50X50 cap
7	17855	Electrical terminal box
8	16393-59-V	Cover cruise (V=black painted)

LINK TOWER






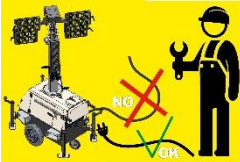
1.10 4x185 W FLOODLIGHTS GROUP



Items	Code	Denomination
1	13507-V	Floodlights support cradle (V=black painted)
2	17737	185 W led floodlight with support and driver
3	16280-03-Z	Floodlight support
4	7217	M10 hand lever
5	13636-04	H15 spacer
6	15585	50X50 cap
7	10691-01	Light sensor
8	17855	Electrical terminal box
9	16393-59-V	Cover cradle (V=black painted)

LINK TOWER

1.11 LIGHTING TOWER STICKERS

Adhesive	Code
	16789
	16792
	16788
	10182
	6844
	18632