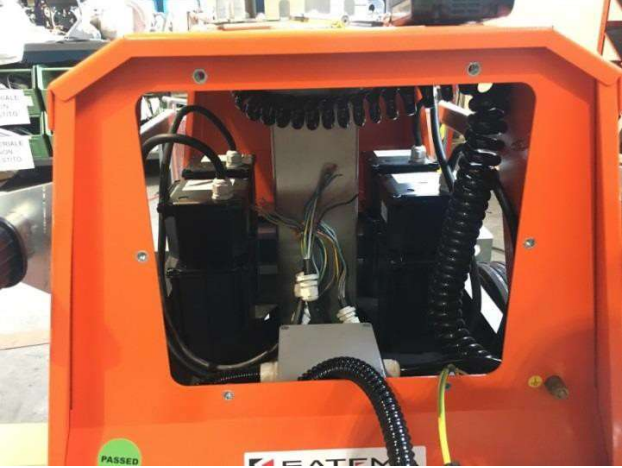
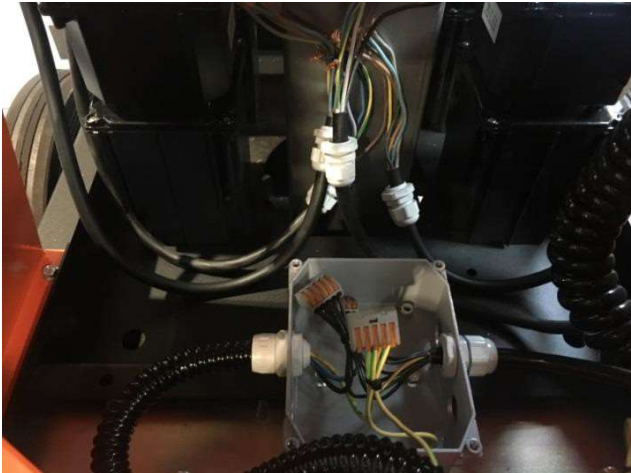



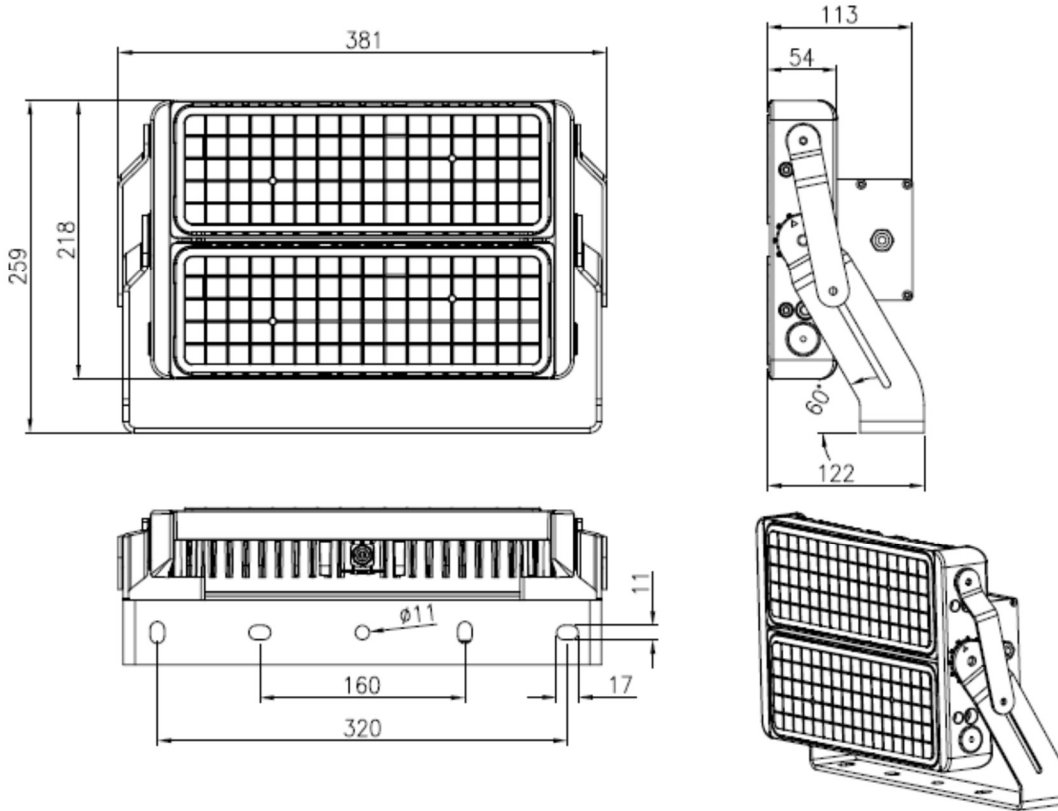


LINKTOWER – Nordic Brick LED floodlights retrofit on old MH units

1	Remove the command panel	
2	Disconnect the ballast and reconnect as shown in the wiring diagram	
3	Remove or keep the ballast	

4	Close the electrical box	
5	Assembly the floodlight support on the machine	



Product features



Nordic Brick fixtures retrofit would maintain the CE conformity on machines.

