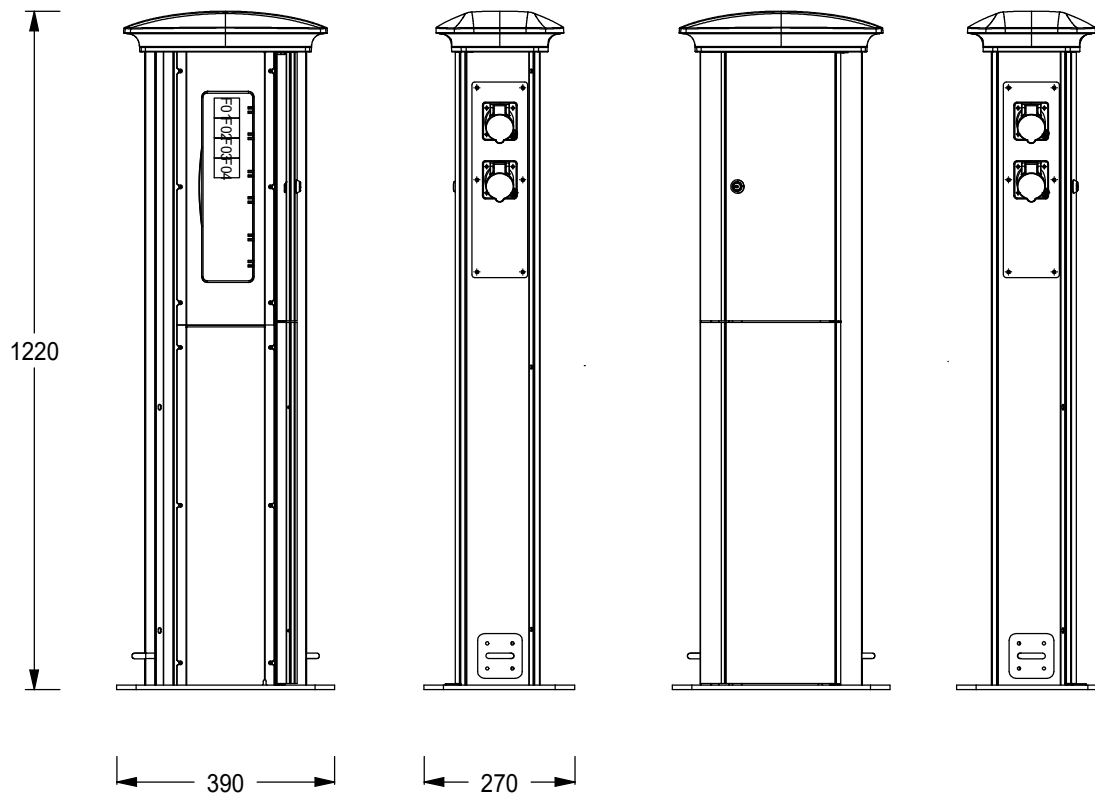


A B C D E F G H J K



ARTIKELNR./ ARTICLE NO. EB10065	
MÄRKSTRÖM/ CURRENT RATING 32 A	
MEASURING EQUIPMENT	
CURR- TRAFO- SPACE	ENERGY- METER- SPACE
FAST ANSLUTNING/ FIXED CONNECTIONS <125A >125A	
CEE-OUTLETS 3-POLE/230V 16A 32A 63A 125A 4	
SCHUKO OUTLETS 2-POLE/230V 16A	
CEE-OUTLETS 5-POLE/400V 16A 32A 63A 125A	
JFB/RCCB <0,03A >0,3A >0,03A & <0,3A 4	
JFB/RCCB Variable	
VIKT/WEIGHT 21,5 kg	

This drawing is property of El-Björn. May not be copied, shown or distributed without our written permission.

Alfa-II 32/(4)-4 EN



RITAD A/DRAWN BY CG	DATUM/DATE 170224	NEXT SHEET 2	SHEET 1
SIGN	REVISION/ISSUE A*	RITINGS NR./DRAWING EB10065	

A

B

C

D

E

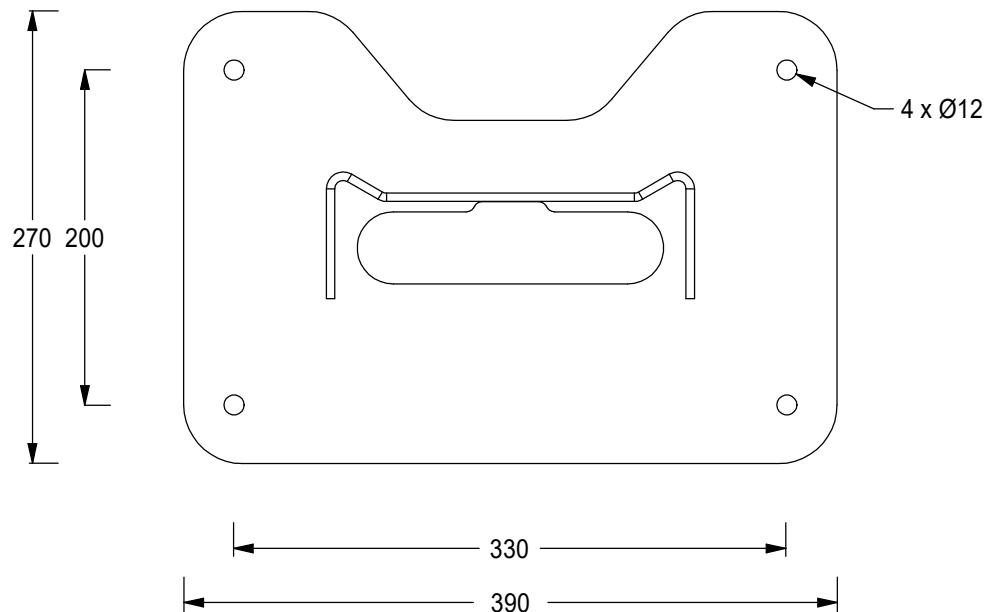
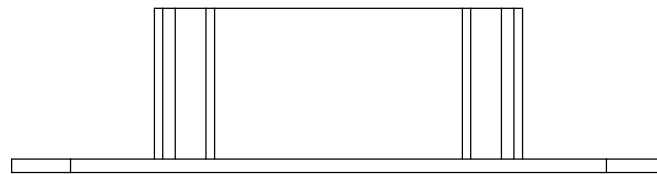
F

G

H

J

K

ARTIKELNR./
ARTICLE NO.**EB10065**MÄRKSTRÖM/
CURRENT RATING**32 A**MEASURING
EQUIPMENTCURR-
TRAFO-
SPACE ENERGY-
METER-
SPACEFAST ANSLUTNING/
FIXED CONNECTIONS

<125A >125A

CEE-OUTLETS
3-POLE/230V

16A 32A 63A 125A

4SCHUKO OUTLETS
2-POLE/230V

16A

CEE-OUTLETS
5-POLE/400V

16A 32A 63A 125A

JFB/RCCB

<0,03A >0,3A >0,03A & <0,3A

4JFB/RCCB
Variable

VIKT/WEIGHT

21,5 kg

This drawing is property of El-Björn. May not be copied, shown or distributed without our written permission.

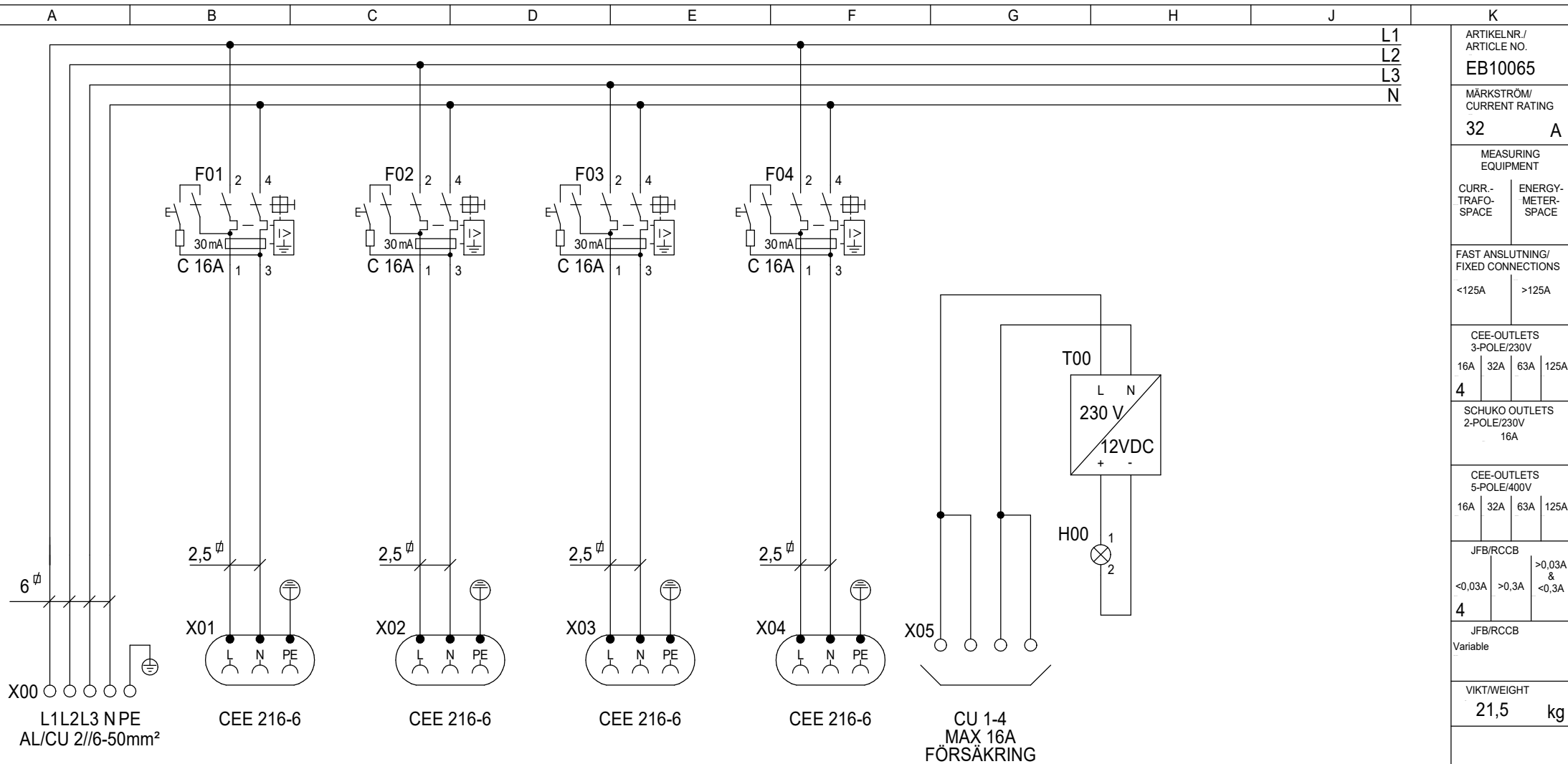
Alfa-II 32/(4)-4 EN

EL-BJÖRN 
www.elbjorn.com

RITAD A/DRAWN BY
CGDATUM/DATE
170224NEXT SHEET
3SHEET
2

SIGN

REVISION/ISSUE
A*RITINGS NR./DRAWING
EB10065



L1
L2
L3
N

ARTIKELNR./ ARTICLE NO. EB10065	
MÄRKSTRÖM/ CURRENT RATING 32 A	
MEASURING EQUIPMENT	
CURR.- TRAFO- SPACE	ENERGY- METER- SPACE
FAST ANSLUTNING/ FIXED CONNECTIONS <125A >125A	
CEE-OUTLETS 3-POLE/230V 16A 32A 63A 125A 4	
SCHUKO OUTLETS 2-POLE/230V 16A	
CEE-OUTLETS 5-POLE/400V 16A 32A 63A 125A	
JFB/RCCB <0,03A	>0,3A & <0,3A
4	
JFB/RCCB Variable	
VIKT/WEIGHT 21,5 kg	

This drawing is property of El-Björn. May not be copied, shown or distributed without our written permission.

Alfa-II 32/(4)-4 EN



RITAD A/DRAWN BY CG	DATUM/DATE 170224	NEXT SHEET 4	SHEET 3
SIGN	REVISION/ISSUE A*	RITINGS NR./DRAWING EB10065	

