

A

B

C

D

E

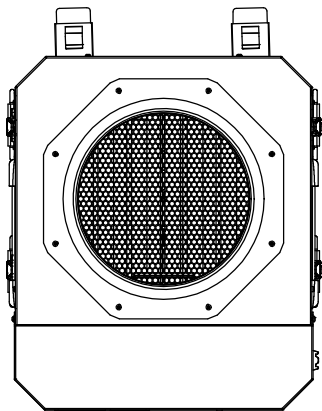
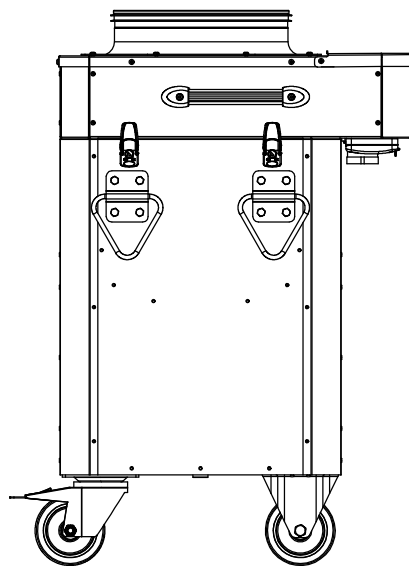
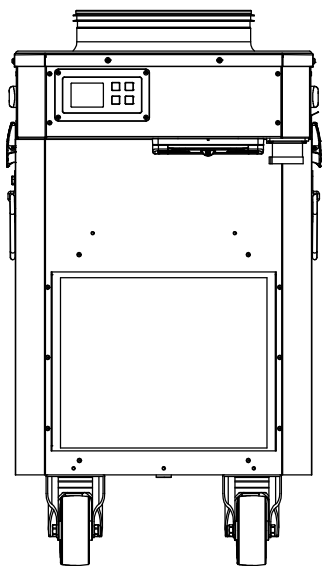
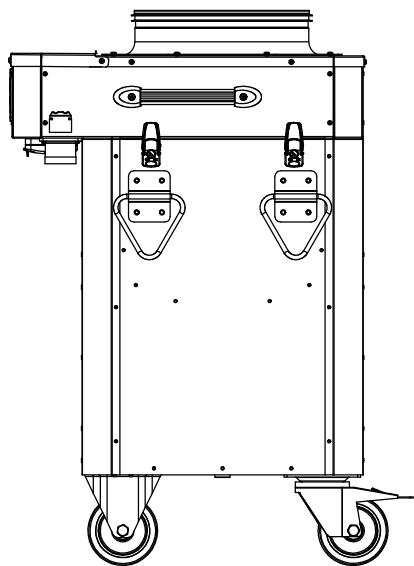
F

G

H

J

K



ARTIKELNR./

ARTICLE NO.

EB14642MÄRKSTRÖM/
CURRENT RATING**32****A**SPÄNNING/
VOLTAGE**400****V**MEASURING
EQUIPMENTCURR.-
TRAFO-
SPACEENERGY-
METER-
SPACEFAST ANSLUTNING/
FIXED CONNECTIONS

<125A

>125A

CEE-OUTLETS
3-POLE

16A

32A

63A

125A

SCHUKO OUTLETS

16A

CEE-OUTLETS
4-POLE

16A

32A

63A

125A

CEE-OUTLETS
5-POLE/400V

16A

32A

63A

125A

JFB/RCD/RCBO

0,01A

0,03A

0,1A

JFB/RCD/RCBO

0,3A

0,5A

Variable

VIKT/WEIGHT

kg

This drawing is property of El-Björn. May not be copied, shown or distributed without our written permission.

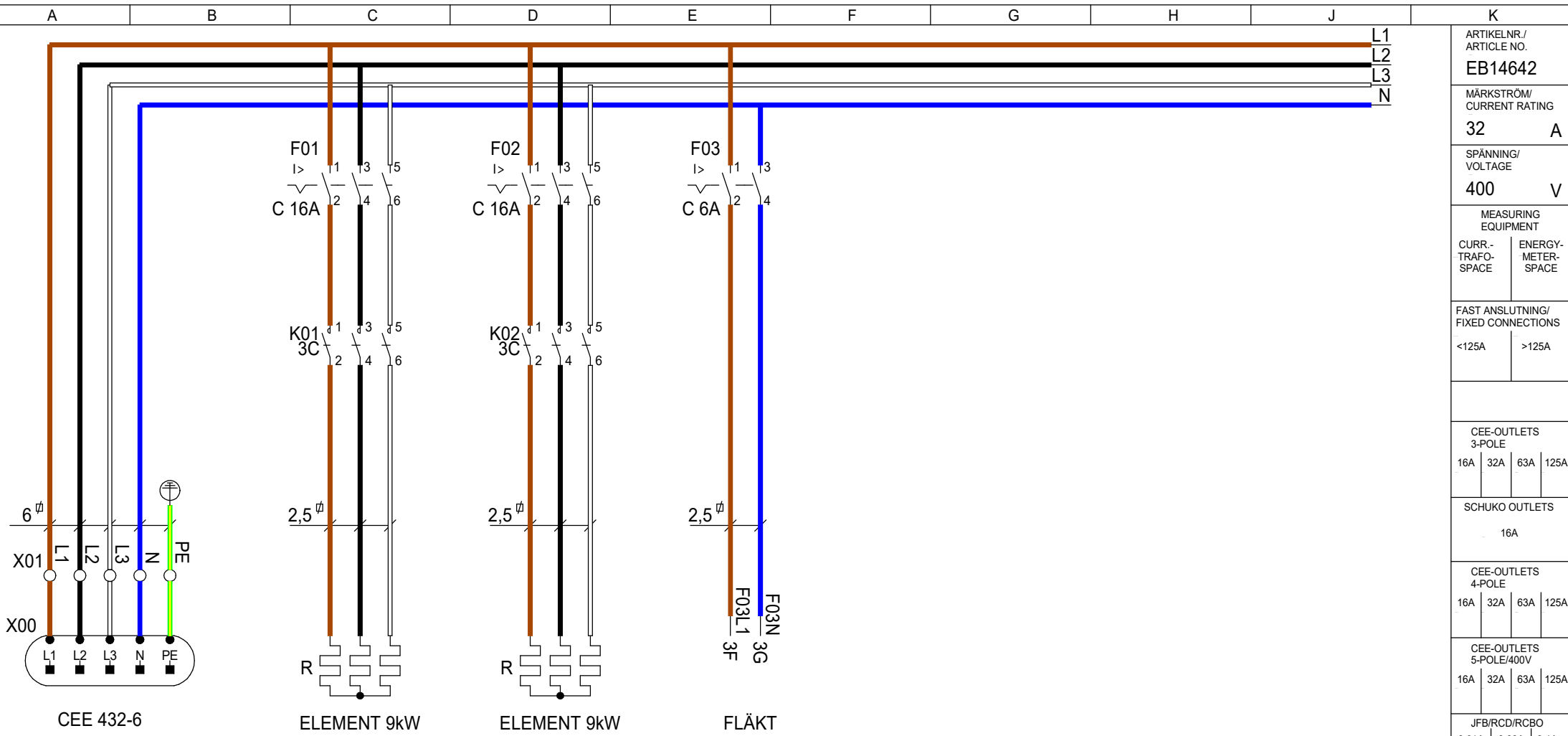
TF 18EL EBC

EL-BJÖRN 
www.elbjorn.com

RITAD AV/DRAWN BY
CGDATUM/DATE
200601

SIGN

REVISION/ISSUE
A*NEXT SHEET
2SHEET
1RITNING NR./DRAWING
EB14642



ARTIKELNR./ ARTICLE NO. EB14642			
MÄRKSTRÖM/ CURRENT RATING	32 A		
SPÄNNING/ VOLTAGE	400 V		
MEASURING EQUIPMENT			
CURR.- TRAFO- SPACE	ENERGY- METER- SPACE		
FAST ANSLUTNING/ FIXED CONNECTIONS			
<125A	>125A		
CEE-OUTLETS 3-POLE			
16A	32A	63A	125A
SCHUKO OUTLETS			
16A			
CEE-OUTLETS 4-POLE			
16A	32A	63A	125A
CEE-OUTLETS 5-POLE/400V			
16A	32A	63A	125A
JFB/RCD/RCBO	0,01A	0,03A	0,1A
JFB/RCD/RCBO	0,3A	0,5A	Variable
VIKT/WEIGHT			
kg			

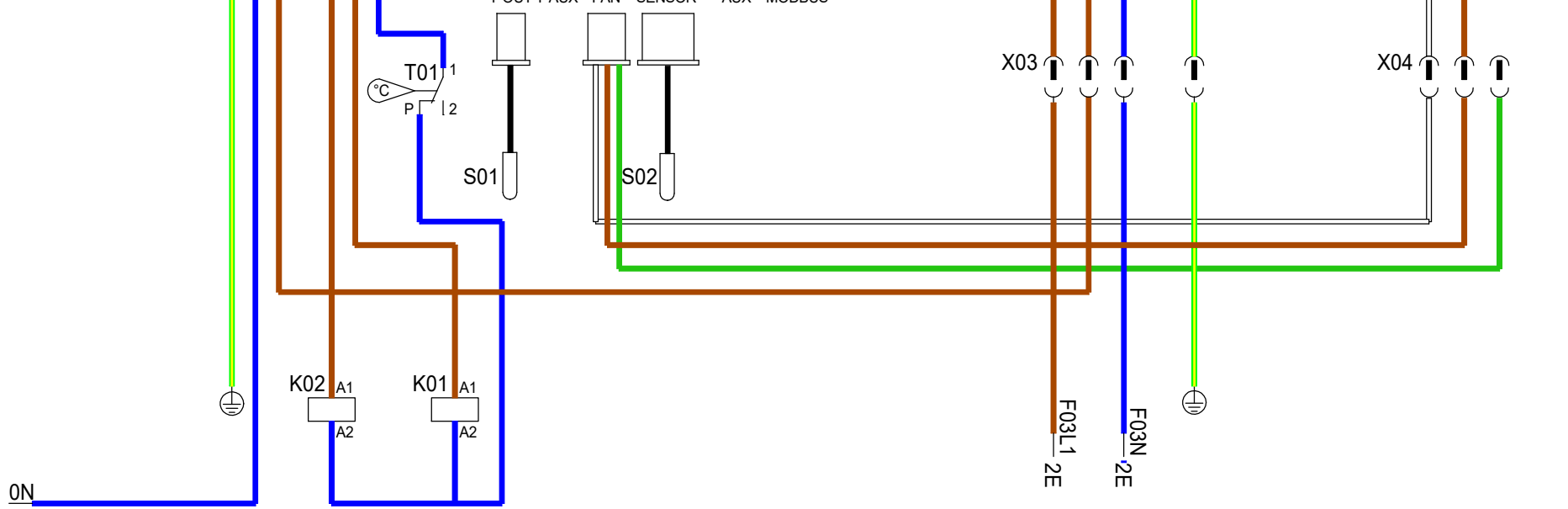
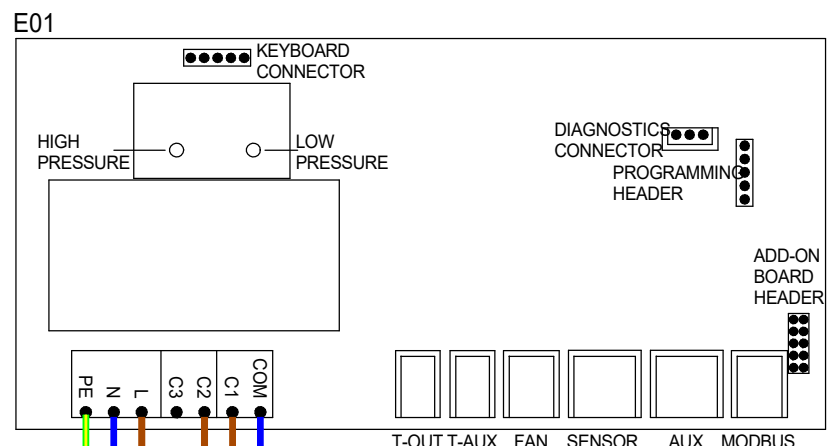
This drawing is property of El-Björn. May not be copied, shown or distributed without our written permission.

TF 18EL EBC



RITAD AV/DRAWN BY CG	DATUM/DATE 200601	NEXT SHEET 3	SHEET 2
SIGN	REVISION/ISSUE A*	RITNING NR./DRAWING EB14642	

A B C D E F G H J K



- 1-2 2D 1-2 2C
- 3-4 2D 3-4 2C
- 5-6 2D 5-6 2C
- 13-14 13-14
- 21-22 21-22

ARTIKELNR./ ARTICLE NO. EB14642			
MÄRKSTRÖM/ CURRENT RATING 32	A		
SPÄNNING/ VOLTAGE 400	V		
MEASURING EQUIPMENT			
CURR- TRAFO- SPACE	ENERGY- METER- SPACE		
FAST ANSLUTNING/ FIXED CONNECTIONS			
<125A	>125A		
CEE-OUTLETS 3-POLE			
16A	32A	63A	125A
SCHUKO OUTLETS			
16A			
CEE-OUTLETS 4-POLE			
16A	32A	63A	125A
CEE-OUTLETS 5-POLE/400V			
16A	32A	63A	125A
JFB/RCD/RCBO			
0,01A	0,03A	0,1A	
JFB/RCD/RCBO			
0,3A	0,5A	Variable	
VIKT/WEIGHT			
kg			

This drawing is property of El-Björn. May not be copied, shown or distributed without our written permission.

TF 18EL EBC



RITAD AV/DRAWN BY
CG

DATUM/DATE
200601

SIGN

REVISION/ISSUE
A*

NEXT SHEET
4

SHEET
3

RITINGS NR./DRAWING
EB14642

A	B	C	D	E	F	G	H	J	K
PC.	Position	Description	Type	Manufacturer	Data	Article No.	E-number(SE)	ARTIKELNR./ ARTICLE NO. EB14642	
1	E01	CCU-modele		EI-Björn		279001		MÄRKSTRÖM/ CURRENT RATING 32 A	
2	F01-F02	MCB	iC60H 3P 10kA	Schneider Electric	C 16A	A9F07316	2112254	SPÄNNING/ VOLTAGE 400 V	
1	F03	MCB	iC60H 2P 10kA	Schneider Electric	C 6A	A9F07206	2112149	MEASURING EQUIPMENT	
2	K01-K02	Contactora	LC1K0910M7	Schneider Electric	9A, 240VAC	LC1K0910M7	3230624	CURR- TRAFO- SPACE	ENERGY- METER- SPACE
6	R	Element		Backer	3000W / 230V	51853801		FAST ANSLUTNING/ FIXED CONNECTIONS <125A >125A	
1	S01	Sensor	Temperature	EI-Björn	850mm	279003		CEE-OUTLETS 3-POLE 16A 32A 63A 125A	
1	S02	Sensor probe	Temp/RH	EI-Björn		279009		SCHUKO OUTLETS 16A	
1	T01	Overheating Protection	NT-4B2 CM	Comprimé Components	65°	269077		CEE-OUTLETS 4-POLE 16A 32A 63A 125A	
1	X00	Inlet	432BU6	ABB	32A, 400V, IP44	2CMA193451R1000	2417347	CEE-OUTLETS 5-POLE/400V 16A 32A 63A 125A	
3	X01	Terminal	Grey	Schneider Electric	6mm ²	NSYTRV62	2916271	JFB/RCD/RCBO 0,01A 0,03A 0,1A	
1		Terminal	Blue	Schneider Electric	6mm ²	NSYTRV62BL	2916272	JFB/RCD/RCBO 0,3A 0,5A Variable	
1		Terminal	Yellow / Green	Schneider Electric	6mm ²	NSYTRV62PE	2916274	VIKT/WEIGHT kg	
1	X03	Contact	4-Pol, Female	Wago		770-704/009-000		NEXT SHEET SHEET 4	
1		Contact	4-Pol, Male	Wago		770-714		RTNINGS NR./DRAWING EB14642	
1	X04	Contact	3-Pol, Female	Wago		770-703/009-000			
1		Contact	3-Pol, Male	Wago		770-713			

This drawing is property of EI-Björn. May not be copied, shown or distributed without our written permission.

TF 18EL EBC



RITAD AV/DRAWN BY CG	DATUM/DATE 200601	NEXT SHEET	SHEET 4
SIGN	REVISION/ISSUE A*	RTNINGS NR./DRAWING EB14642	