

**SPARE PARTS**

**LINK TOWER**  
**4x185W LED**

LINK TOWER 4x185W LED

**INDEX**

<b>1.</b>	<b>SPARE PARTS.....</b>	<b>4</b>
1.1	COMMAND PANEL .....	4
1.2	BASE .....	6
1.3	CARPENTRY .....	7
1.4	DOORS AND HANDLES.....	8
1.5	MAST BASE .....	9
1.6	TELESCOPIC MAST .....	10
1.7	FLOODLIGHTS GROUP.....	11
1.8	LIGHTING TOWER STICKERS .....	12

LINK TOWER 4x185W LED

**GB - SPARE PARTS ORDER**

Please be prepared to provide the following information when ordering spare parts:

- **Model**
- **Serial number**
- **Code and quantity.**

**NOTE: Codes of painted parts in colors not listed must be specified when ordering (ending with [-CV] instead of [-V])**

**GENERAC MOBILE PRODUCTS S.r.l.**

Via Stazione, 3 bis  
27030 Villanova d'Ardenghi (PV)  
ITALY

Tel.: +39 0382 567011

Fax:+39 0382 400247

Web site:

<http://www.towerlight.com>

E-mail:

[info@towerlight.com](mailto:info@towerlight.com)

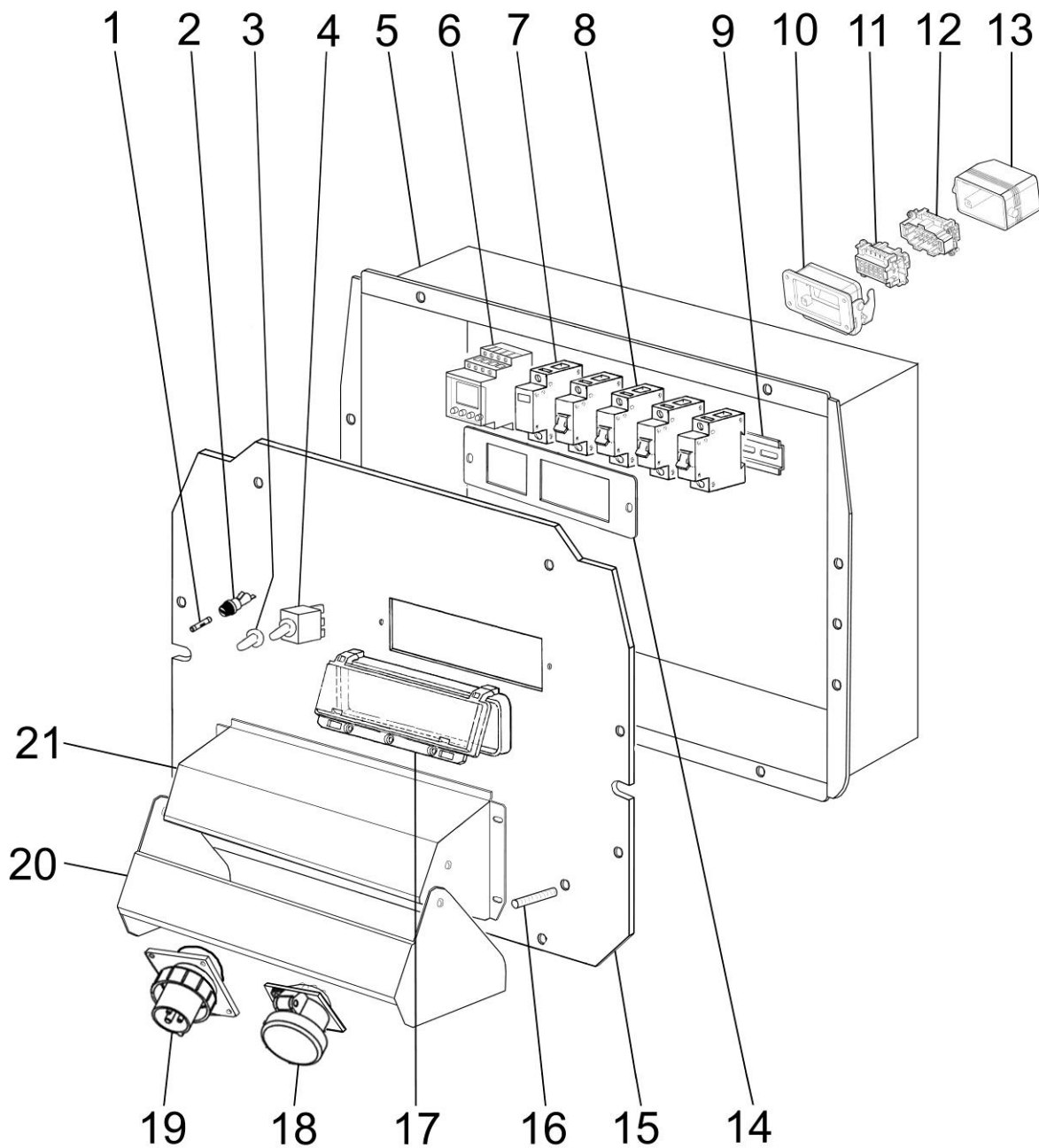
**EI-Björn AB**

Postal address: PO Box 29, 334 21 Anderstorp, Sweden  
Visiting address: Depågatan 6, 334 33 Anderstorp, Sweden  
Telephone: +46 (0)371-588 100  
E-mail: [info@elbjorn.com](mailto:info@elbjorn.com)

LINK TOWER 4x185W LED

## 1. SPARE PARTS

### 1.1 COMMAND PANEL

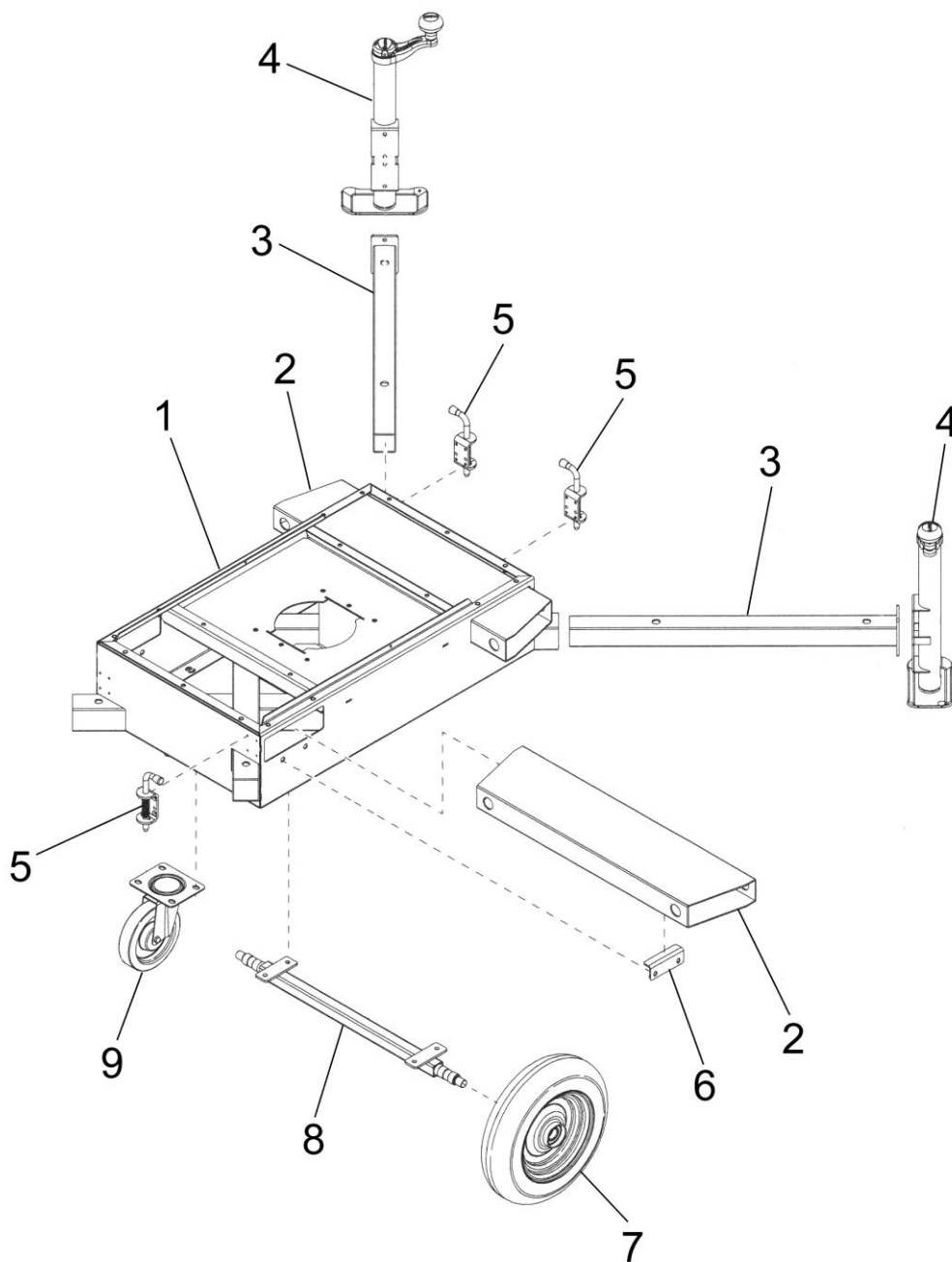


## LINK TOWER 4x185W LED

Items	Code	Denomination
1	15818	2 A 250 V 6.3x32 fuse
2	10046	6.3x32 fuse holder
3	7804	Rubber protection switch
4	13216	3 position 2 way switch
5	16393-58-V	Command box (V=black painted)
6	12778	230 V digital astronomic timer
7	13295	25 A 230 V 2NO contactor
8	15643	4 A 1P (PI 6kA) circuit breaker
9	7806-200	Support
10	13460-15	6P fixed enclosure with side hook
11	7571	6P female terminal board
12	7570	6P male terminal board
13	7569	6P flying enclosure straight exit
14	7117-9-Z	Circuit breaker support
15	16393-105-X	Aluminium front plate
16	6840	Main Earth Terminal
17	7234	8P Wimex cover
18 <sup>(1)</sup>	9423	230÷240 V 16 A 2p+E IP67 EEC single phase socket
18 <sup>(2)</sup>	16953	230÷240 V 16 A 2p+T IP68 Schuko single phase socket
19 <sup>(1)</sup>	14636	230÷240 V 16 A 2p+E IP67 EEC single phase plug
19 <sup>(2)</sup>	16954	230÷240 V 16 A 2p+T IP68 Schuko single phase plug
20 <sup>(1)</sup>	16393-102-V	Socket/plug protection
20 <sup>(2)</sup>	16393-101-V	Socket/plug protection
21 <sup>(1)</sup>	16393-104-V	Socket/plug support
21 <sup>(2)</sup>	16393-102-V	Socket/plug support
<sup>(1)</sup>		<b>EEC version</b>
<sup>(2)</sup>		<b>Schuko version</b>

LINK TOWER 4x185W LED

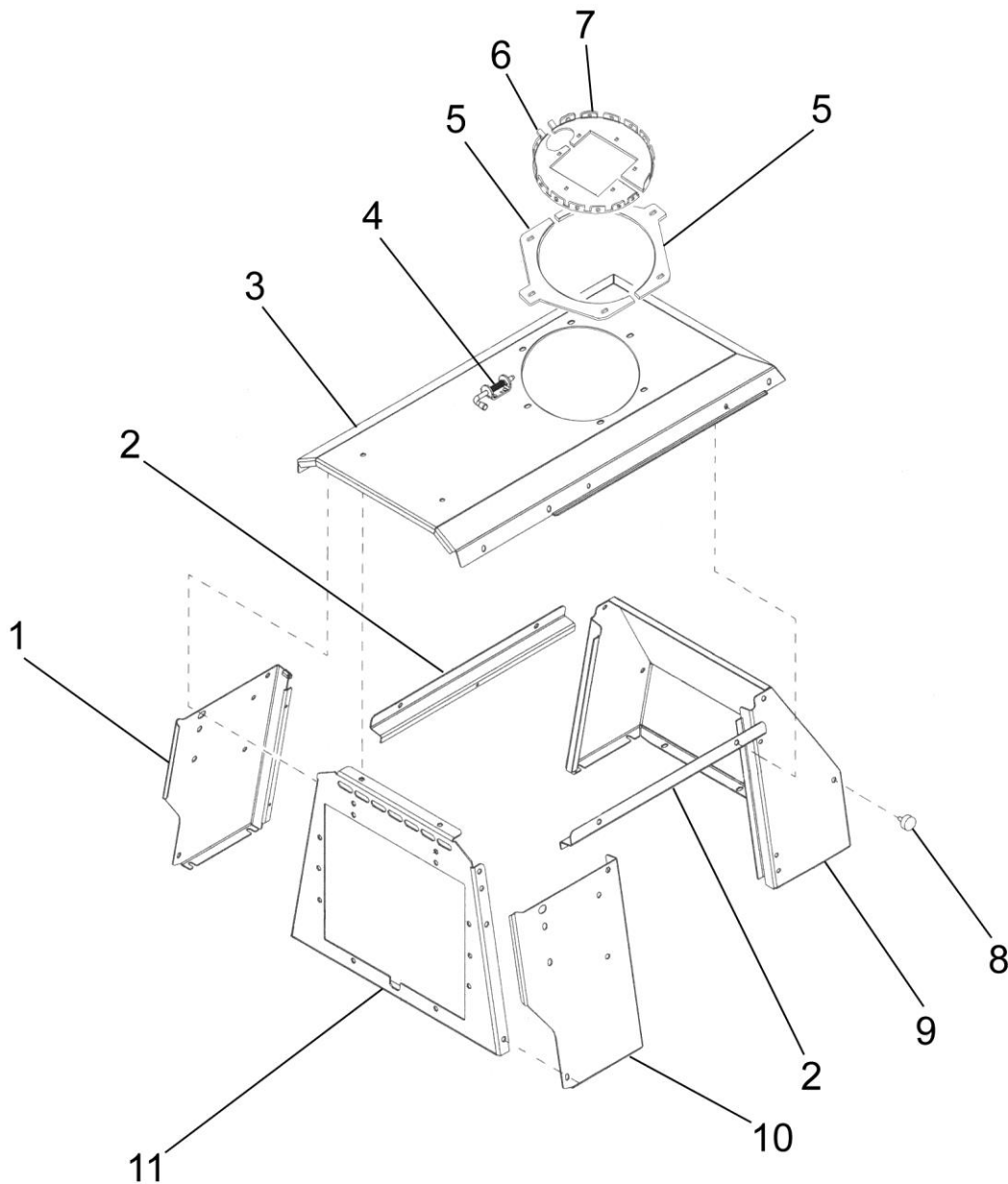
**1.2 BASE**



Items	Code	Denomination
1	16393-01-V	Base (V=black painted)
2	16393-11-Z	Tubular guide for forklift
3	16393-12-Z	Tubular stabilizer door
4	16718	Stabilizer
5	7654	Closing look pin
6	15451-07-Z	Plate for tubular forklift
7	7536	3.50/8 full wheel
8	16393-15-V	Axle (V=black painted)
9	16423	D.160 wheel

LINK TOWER 4x185W LED

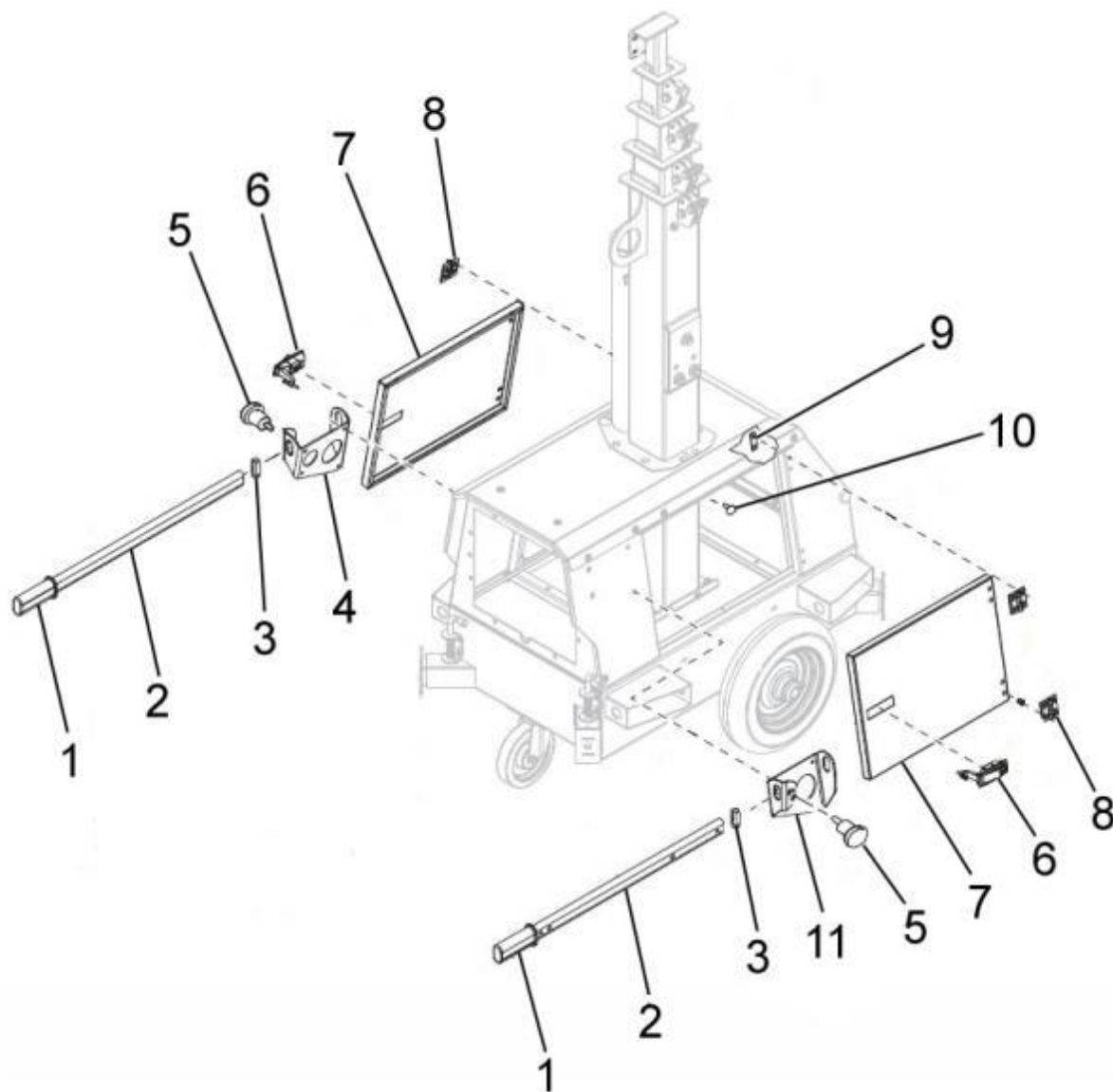
**1.3 CARPENTRY**



Items	Code	Denomination
1	16393-18-V	Left panel enclosure (V=white painted)
2	16393-39-V	Top door plate (V=white painted)
3	16393-52-V	Top cover (V=white painted)
4	8178	Closing lock pin
5	15451-27-Z	Mast guide flange
6	15451-28-DX-Z	Right mast guide flange
7	15451-28-SX-Z	Left mast guide flange
8	6943	D.25x10 1xM6 shock absorber
9	16393-20-V	Rear panel (V=white painted)
10	16393-19-V	Right panel enclosure (V=white painted)
11	16393-16-V	Front panel (V=white painted)

LINK TOWER 4x185W LED

**1.4 DOORS AND HANDLES**

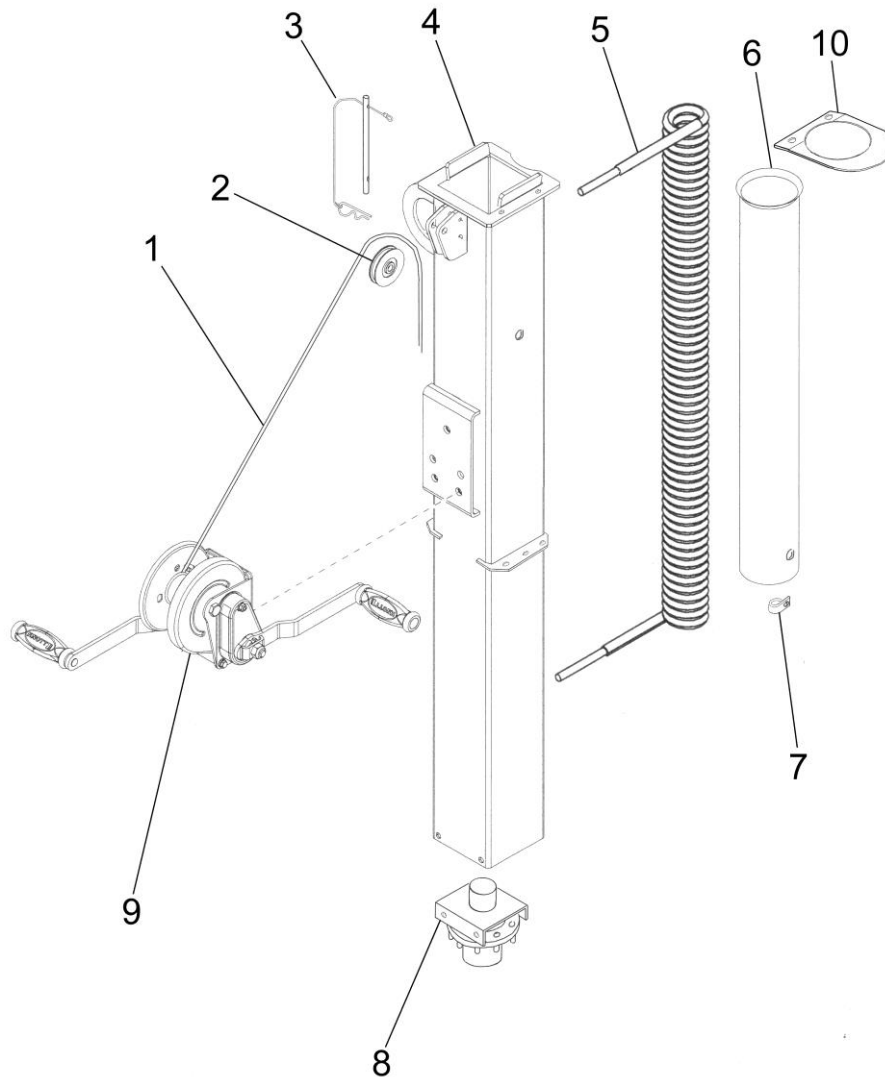


Items	Code	Denomination
1	1024	D.30 knob rubber
2	15451-B-Z	Handle
3	15582	40x20x2 oval cap for pipe
4	16393-25-Z	Left plate handle support
5	15581	Knob
6	16439	Lock for door
7	16393-26-V	Side door (V=white painted)
8	16406	Hinge
9	16393-37	Plate hinge mount
10	11588	Rubber dumper
11	16393-24-Z	Right plate handle support



LINK TOWER 4x185W LED

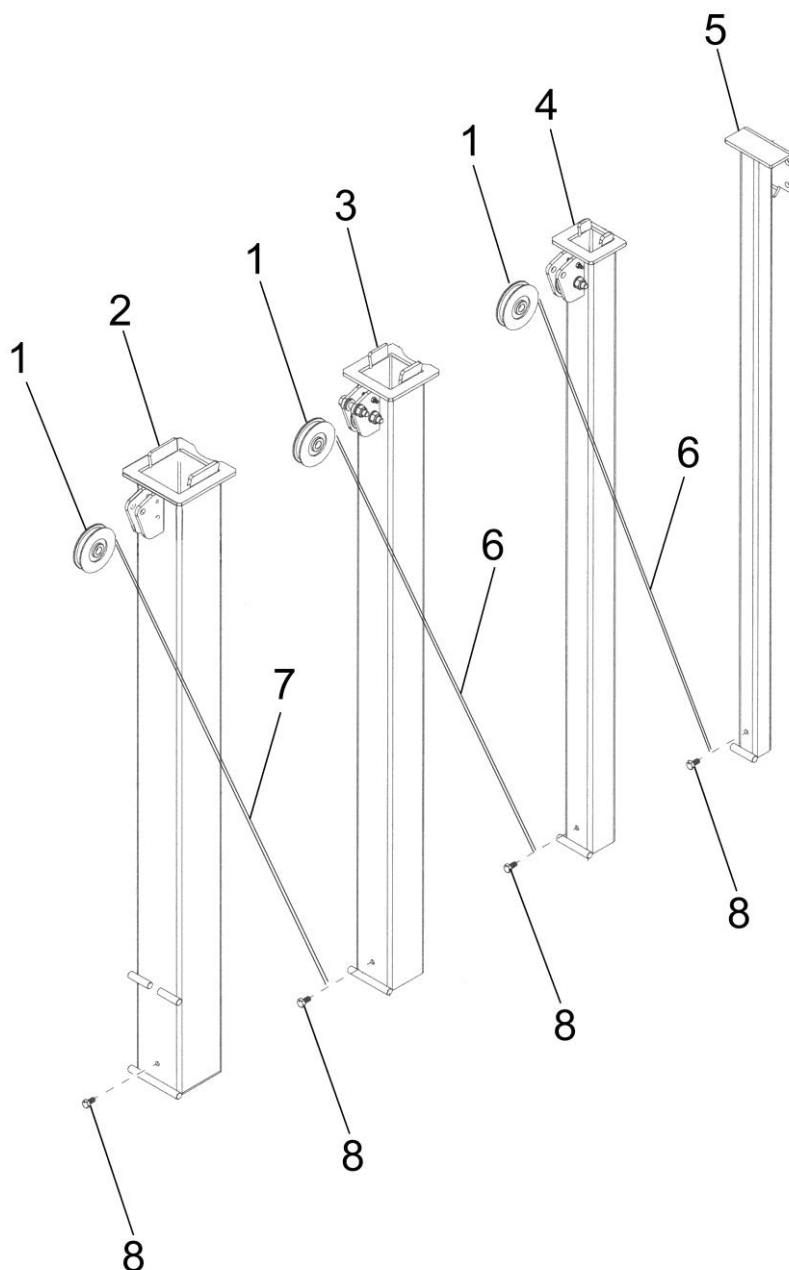
**1.5 MAST BASE**



Items	Code	Denomination
1	16785	Steel cable (l 2700 Ø 6)
2 <sup>(1)</sup>	13006	Ø 55-67 SKF High Rated wheel for steel cable
3	16765	Assembly security pin
4	15575-Z	1° section mast 120x120
5	6437	7Gx1,5 mm <sup>2</sup> turn cable
6	17085	Tube cable guide
7	1055	RSGU1 10/15 clamp
8	15451-M-V	4p hub rotation mast (V=black painted)
9	16420	680 Kg dual handle manual winch
10	17085-02-Z	Tube cable guide support
<sup>(1)</sup>		<b>Specify the diameter</b>

LINK TOWER 4x185W LED

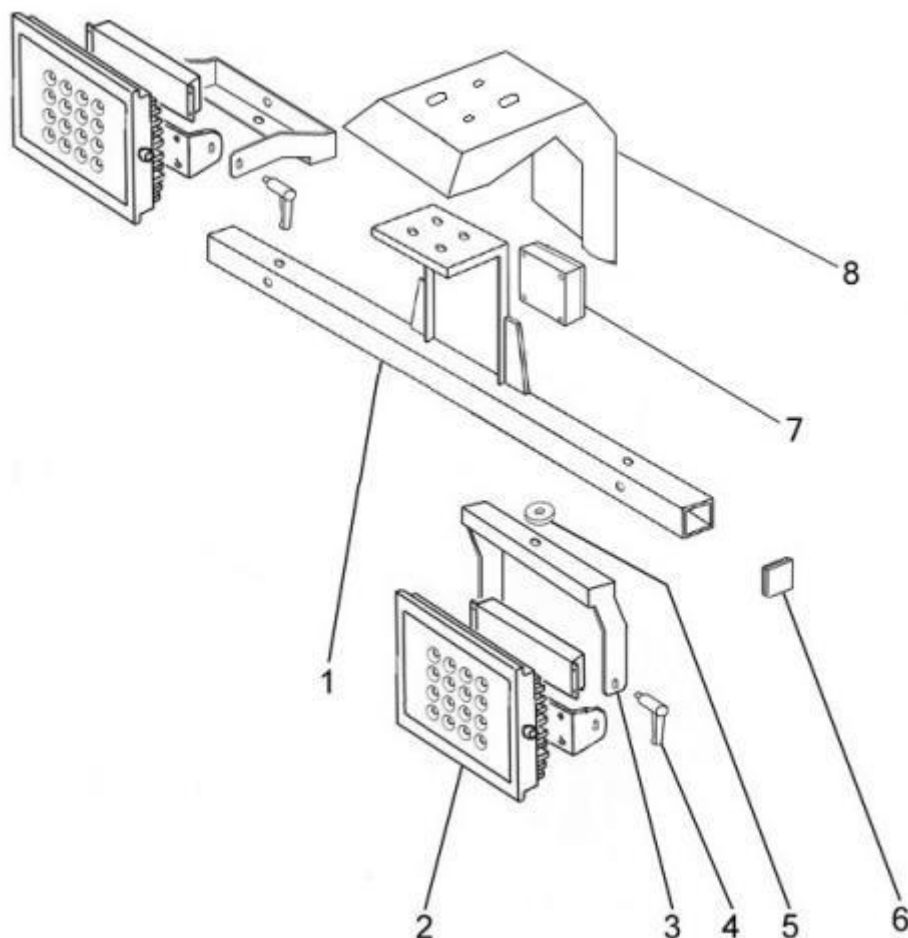
## 1.6 TELESCOPIC MAST



Items	Code	Denomination
1 <sup>(1)</sup>	13006	Ø 55-67 SKF High Rated wheel for steel cable
2	6067-Z	2° section mast 100x100
3	6068-Z	3° section mast 80x80
4	8051-Z	4° section mast 60x60
5	12352-Z	5° section mast 40x40
6	12991	Steel cable (l 1460 Ø 6)
7	12990	Steel cable (l 1440 Ø 6)
8	6234	Inox screw M8 H=4mm
<sup>(1)</sup>		<b>Specify the diameter</b>

LINK TOWER 4x185W LED


**1.7 FLOODLIGHTS GROUP**



Items	Code	Denomination
1	13507-V	Floodlights support cruise (V=black painted)
2	17213	185 W led floodlight with support and driver
2	16602-04	Floodlight glass
3	16280-03-Z	Floodlight support
4	7217	M10 hand lever
5	13636-04	H15 spacer
6	15585	50X50 cap
7	1019-01	100x100 electrical terminal box
8	16393-59-V	Cover cruise (V=black painted)

LINK TOWER 4x185W LED

**1.8 LIGHTING TOWER STICKERS**

Adhesive	Code
	16789
	16792
	16788
	10182
	6844
	17653