

**SPARE PARTS**  
**LINK TOWER UFO**  
**400W LED**

LINK TOWER UFO 400W LED

**INDICE - INDEX**

<b>1.</b>	<b>SPARE PARTS ORDER.....</b>	<b>3</b>
<b>2.</b>	<b>SPARE PARTS.....</b>	<b>4</b>
2.1	COMMAND PANEL .....	4
2.2	BASE .....	5
2.3	CARPENTRY .....	6
2.4	DOORS AND HANDLES.....	7
2.5	MAST BASE .....	8
2.6	TELESCOPIC MAST .....	9
2.7	FLOODLIGHTS GROUP.....	10
2.8	LIGHTING TOWER STICKERS .....	11

LINK TOWER UFO 400W LED

## 1. SPARE PARTS ORDER

Please be prepared to provide the following information when ordering spare parts:  
model, serial number, code and quantity.

### **GENERAC MOBILE PRODUCTS S.r.l.**

Via Stazione, 3 bis

27030 Villanova d'Ardenghi (PV)

ITALY

Tel.: +39 0382 567011

Fax: +39 0382 400247

Web site:

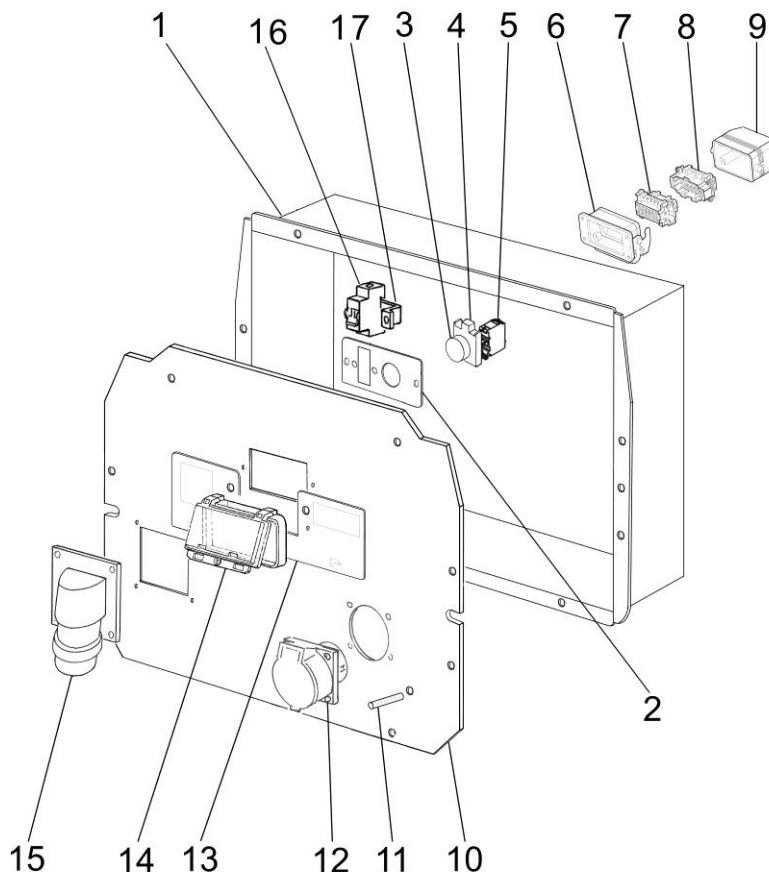
<http://www.towerlight.com>

E-mail:

[info@towerlight.com](mailto:info@towerlight.com)

## 2. SPARE PARTS

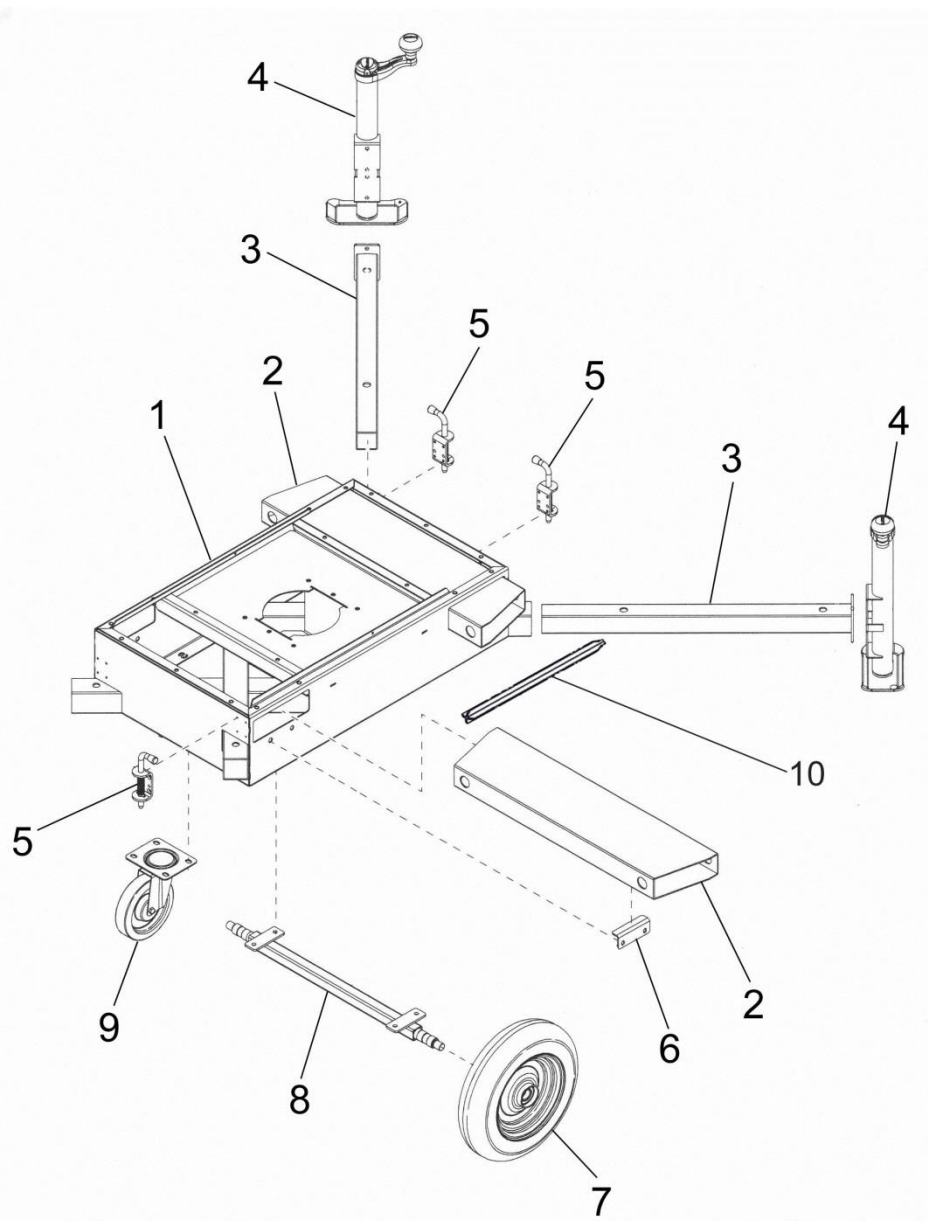
### 2.1 COMMAND PANEL



Items	Code	Denomination
1	16393-58-V	Command box
2	11675-12-Z	Impulse button support
3	17066	Impulse button
4	15073-01	Impulse button base
5	15073-02	NO auxiliary contactor for impulse button
6	13460-15	6P fixed enclosure with side hook
7	7571	6P female terminal board
8	7570	6P male terminal board
9	7569	6P flying enclosure straight exit
10	16393-65-V	Front plate
11	6840	Main Earth Terminal
12	9423	230÷240 V 16 A 2p+T IP67 EEC single phase socket
13	16393-66X1	Aluminium front plate
14	10235	4P Wimex cover
15	7549	230 V 16 A 2p+T IP67 EEC single phase plug
16	15643	4 A 1P (PI 6kA) circuit breaker
17	6168	circuit breaker support

## LINK TOWER UFO 400W LED

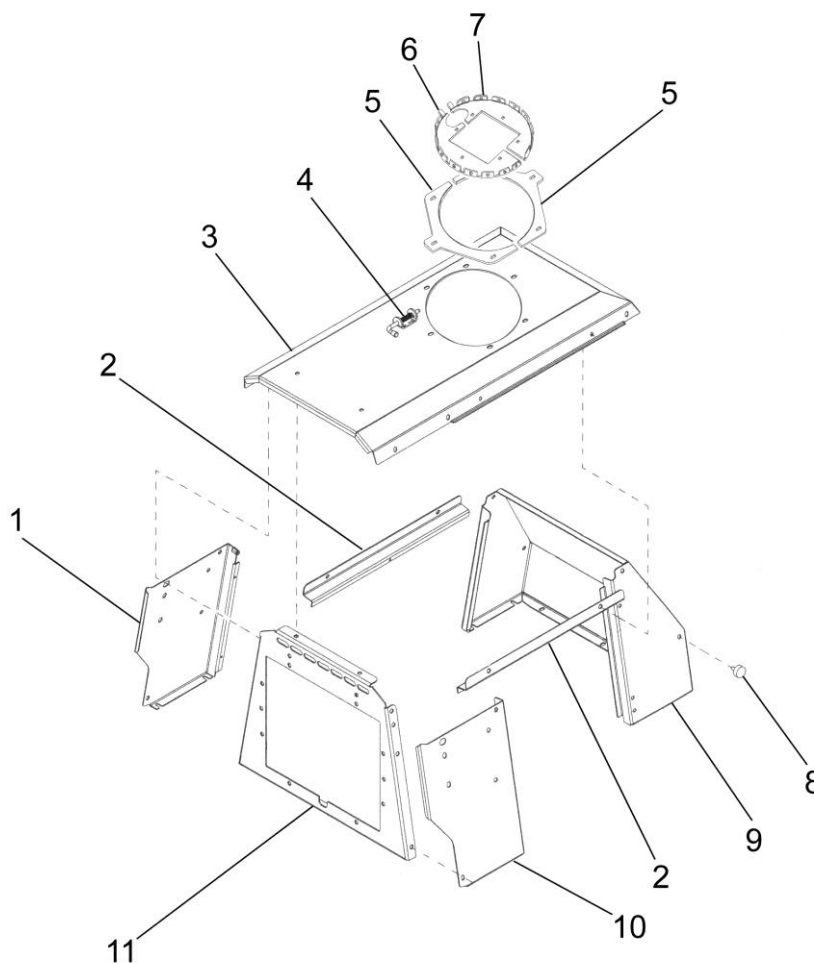
### 2.2 BASE



Items	Code	Denomination
1	16393-01-V	Base
2	16393-11-Z	Tubular guide for forklift
3	16393-12-Z	Tubular stabilizer door
4	16718	Stabilizer
5	7654	Closing lock pin
6	15451-07-Z	Plate for tubular forklift
7	7536	3.50/8 full wheel
8	16393-15-V	Axle
9	16423	D.160 wheel
10 (1)	11062-Z	L.500 mm earthing rod
10 (1)	CAGV100-5000	Cable for earthing rod
(1)		<b>Optional</b>

LINK TOWER UFO 400W LED

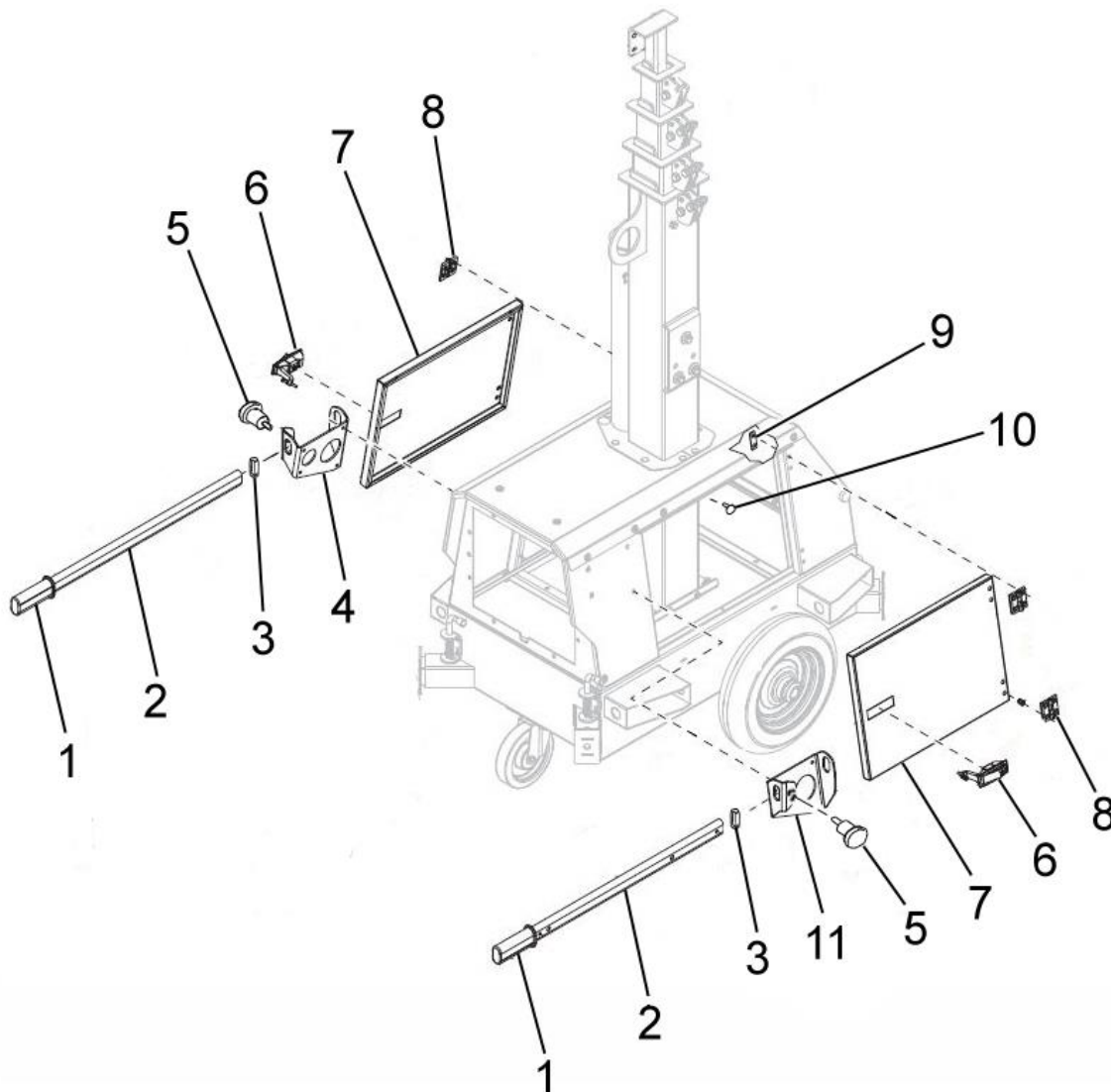
**2.3 CARPENTRY**



Items	Code	Denomination
1 <sup>(1)</sup>	16393-18-V	Left panel enclosure
1 <sup>(2)</sup>	16393-18-CV	Left panel enclosure
2 <sup>(1)</sup>	16393-39-V	Top door plate
2 <sup>(2)</sup>	16393-39-CV	Top door plate
3 <sup>(1)</sup>	16393-52-V	Top cover
3 <sup>(2)</sup>	16393-52-CV	Top cover
4	8178	Closing lock pin
5	15451-27-Z	Mast guide flange
6	15451-28-DX-Z	Right mast guide flange
7	15451-28-SX-Z	Left mast guide flange
8	6943	D.25x10 1xM6 shock absorber
9 <sup>(1)</sup>	16393-20-V	Rear panel
9 <sup>(2)</sup>	16393-20-CV	Rear panel
10 <sup>(1)</sup>	16393-19-V	Right panel enclosure
10 <sup>(2)</sup>	16393-19-CV	Right panel enclosure
11 <sup>(1)</sup>	16393-16-V	Front panel
11 <sup>(2)</sup>	16393-16-CV	Front panel
<sup>(1)</sup>		<b>Standard painting (ral9001 white, ral9005 black)</b>
<sup>(2)</sup>		<b>Non-standard painting (another colors)</b>

LINK TOWER UFO 400W LED

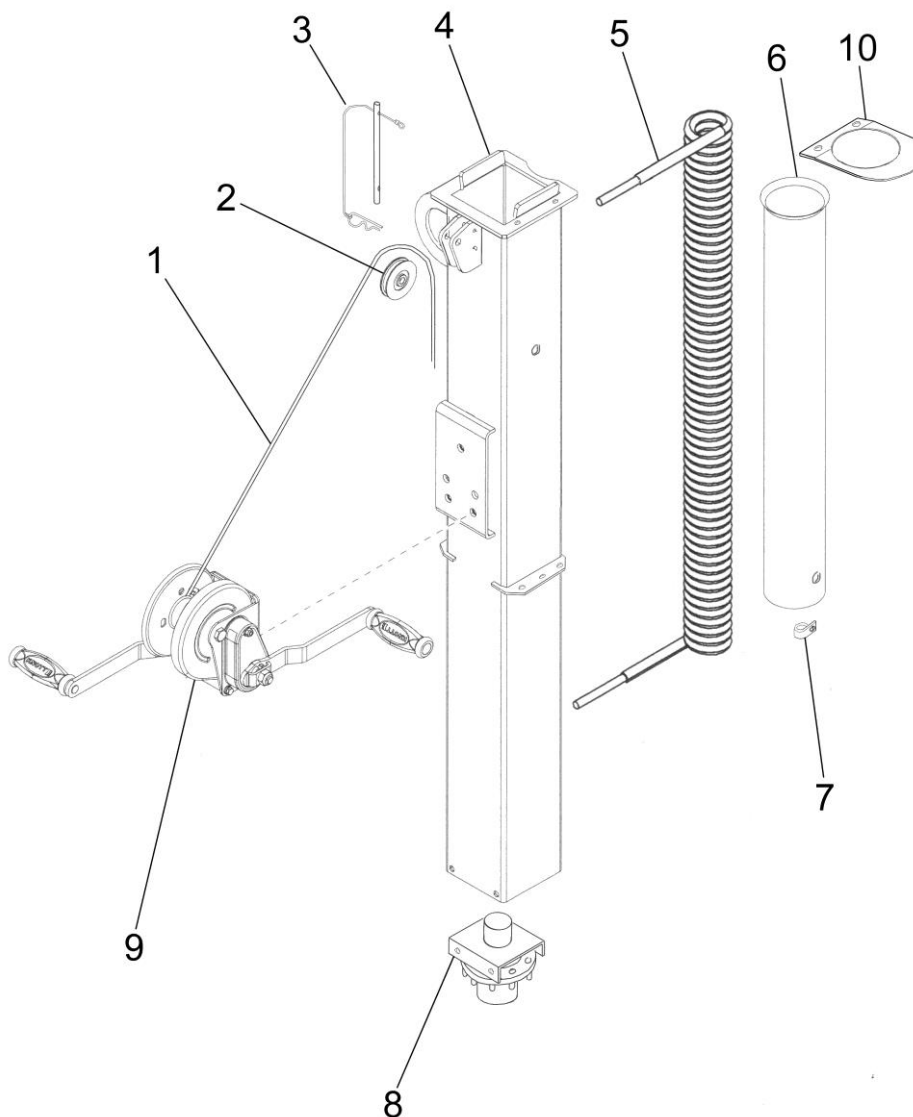
**2.4 DOORS AND HANDLES**



Items	Code	Denomination
1	1024	D.30 knob rubber
2	15451-B-Z	Handle
3	15582	40x20x2 oval cap for pipe
4	16393-25-Z	Left plate handle support
5	15581	Knob
6	16439	Lock for door
7 <sup>(1)</sup>	16393-26-V	Side door
7 <sup>(2)</sup>	16393-26-CV	Side door
8	16406	Hinge
9	16393-37	Plate hinge mount
10	11588	Rubber dumper
11	16393-24-Z	Right plate handle support
<sup>(1)</sup>		<b>Standard painting (ra19001 white, ra19005 black)</b>
<sup>(2)</sup>		<b>Non-standard painting (another colors)</b>

LINK TOWER UFO 400W LED

**2.5 MAST BASE**

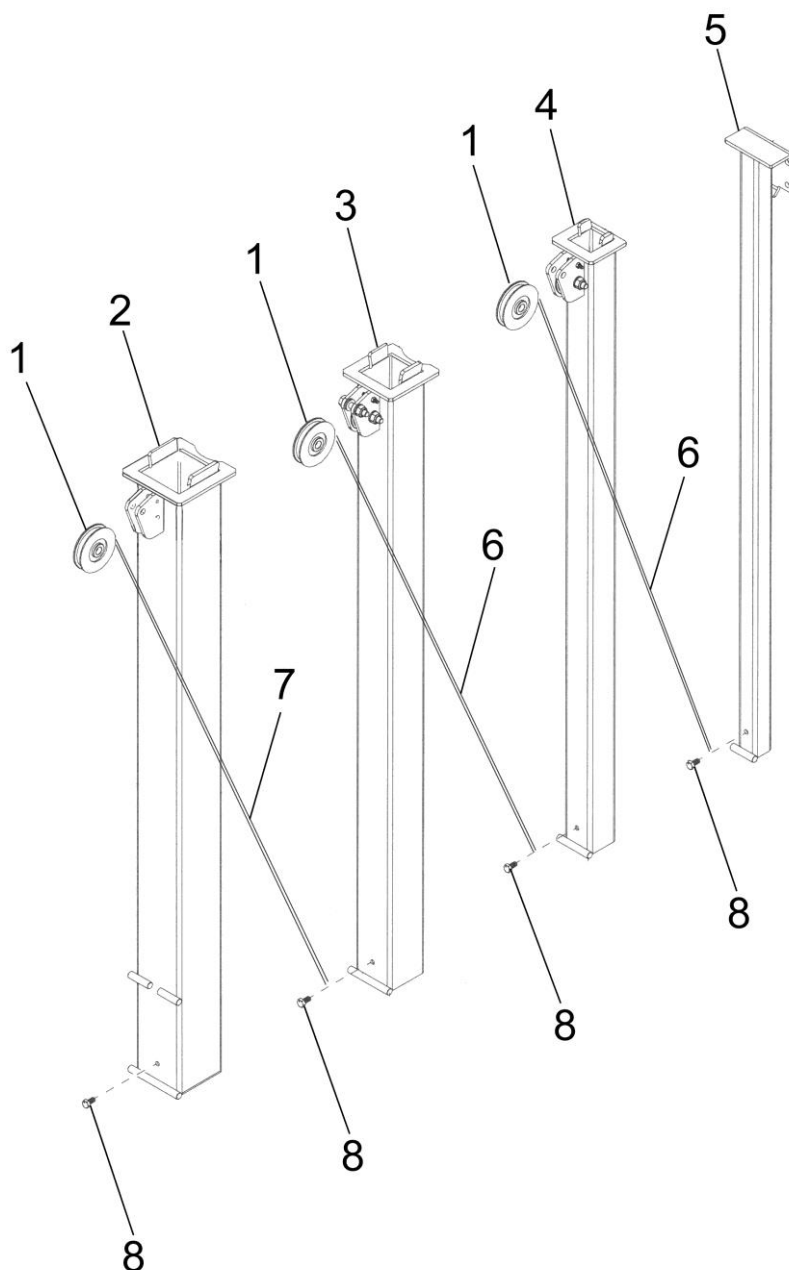


Items	Code	Denomination
1	16785	Steel cable (l 2700 Ø 6)
2 (1)	13006	Ø 55-67 SKF High Rated wheel for steel cable
3	16765	Assembly security pin
4	15575-Z	1° section mast 120x120
5	6437	7Gx1,5 mm <sup>2</sup> turn cable
6	17085	Tube cable guide
7	1055	RSGU1 10/15 clamp
8	15451-M-V	4p hub rotation mast
9	16420	680 Kg dual handle manual winch
10	17085-02-Z	Tube cable guide support
(1)		Specify the diameter



LINK TOWER UFO 400W LED

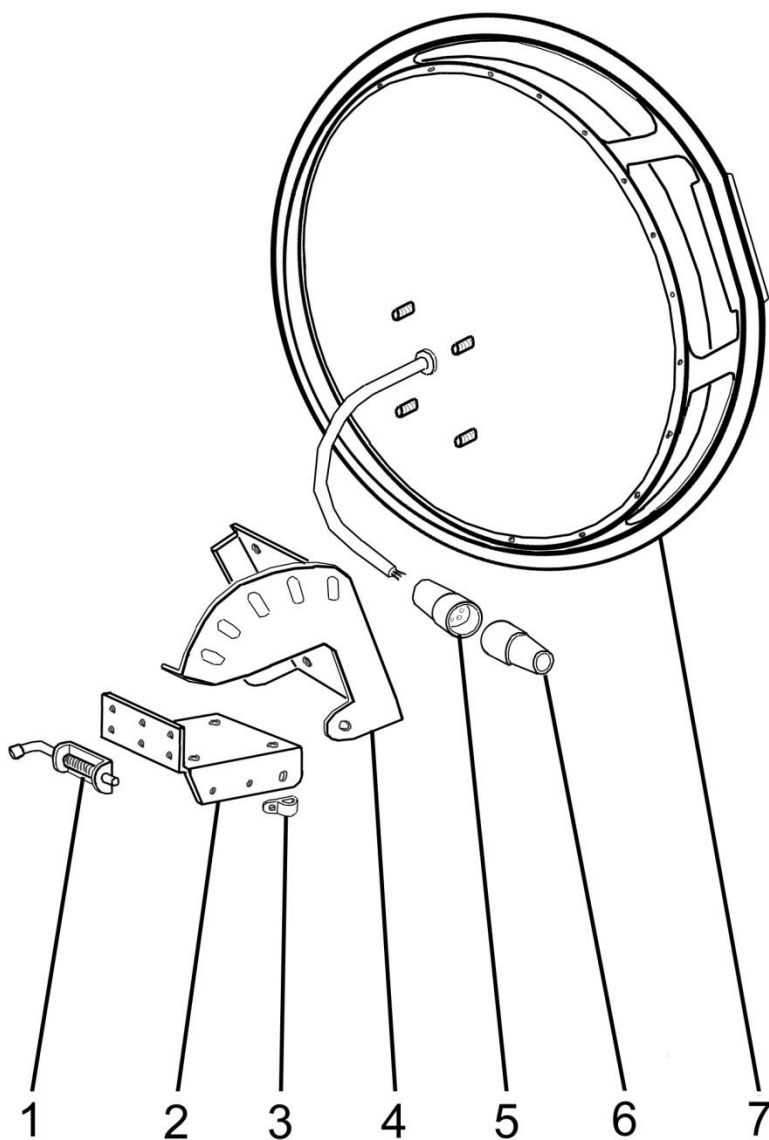
**2.6 TELESCOPIC MAST**



Items	Code	Denomination
1 <sup>(1)</sup>	13006	Ø 55-67 SKF High Rated wheel for steel cable
2	6067-Z	2° section mast 100x100
3	6068-Z	3° section mast 80x80
4	8051-Z	4° section mast 60x60
5	12352-Z	5° section mast 40x40
6	12991	Steel cable (l 1460 Ø 6)
7	12990	Steel cable (l 1440 Ø 6)
8	6234	Inox screw M8 H=4mm
<sup>(1)</sup>		<b>Specify the diameter</b>

LINK TOWER UFO 400W LED






**2.7 FLOODLIGHTS GROUP**



Items	Code	Denomination
1	7654	Closing look pin
2	16831-08-Z	Adapter floodlight support
3	1055	RSGU1 10/15 clamp
4	16831-09-SX-Z	Floodlight support
5	MP15	4P connector Power socket
6	16361	4P connector Plug
7	16936	400W LED floodlight

LINK TOWER UFO 400W LED

**2.8 LIGHTING TOWER STICKERS**

Adhesive	Code
	16789
	16792
	16788
	10182
	6844