

ARTIKELNR /
ARTICLE NO.
F23012

MÄRKSTRÖM /
CURRENT RATING
100 A

SPÄNNING /
VOLTAGE
400 V

MEASURING
EQUIPMENT
CURR-
TRAFO-
SPACE | ENERGY-
METER-
SPACE

FAST ANSLUTNING /
FIXED CONNECTIONS
<125A | >125A

CEE-OUTLETS
3-POLE
16A | 32A | 63A | 125A

SCHUKO OUTLETS
16A
3

CEE-OUTLETS
4-POLE
16A | 32A | 63A | 125A

CEE-OUTLETS
5-POLE/400V
16A | 32A | 63A | 125A
6

JFB/RCD/RCBO
0,01A | 0,03A | 0,1A
3

JFB/RCD/RCBO
0,3A | 0,5A | Variable

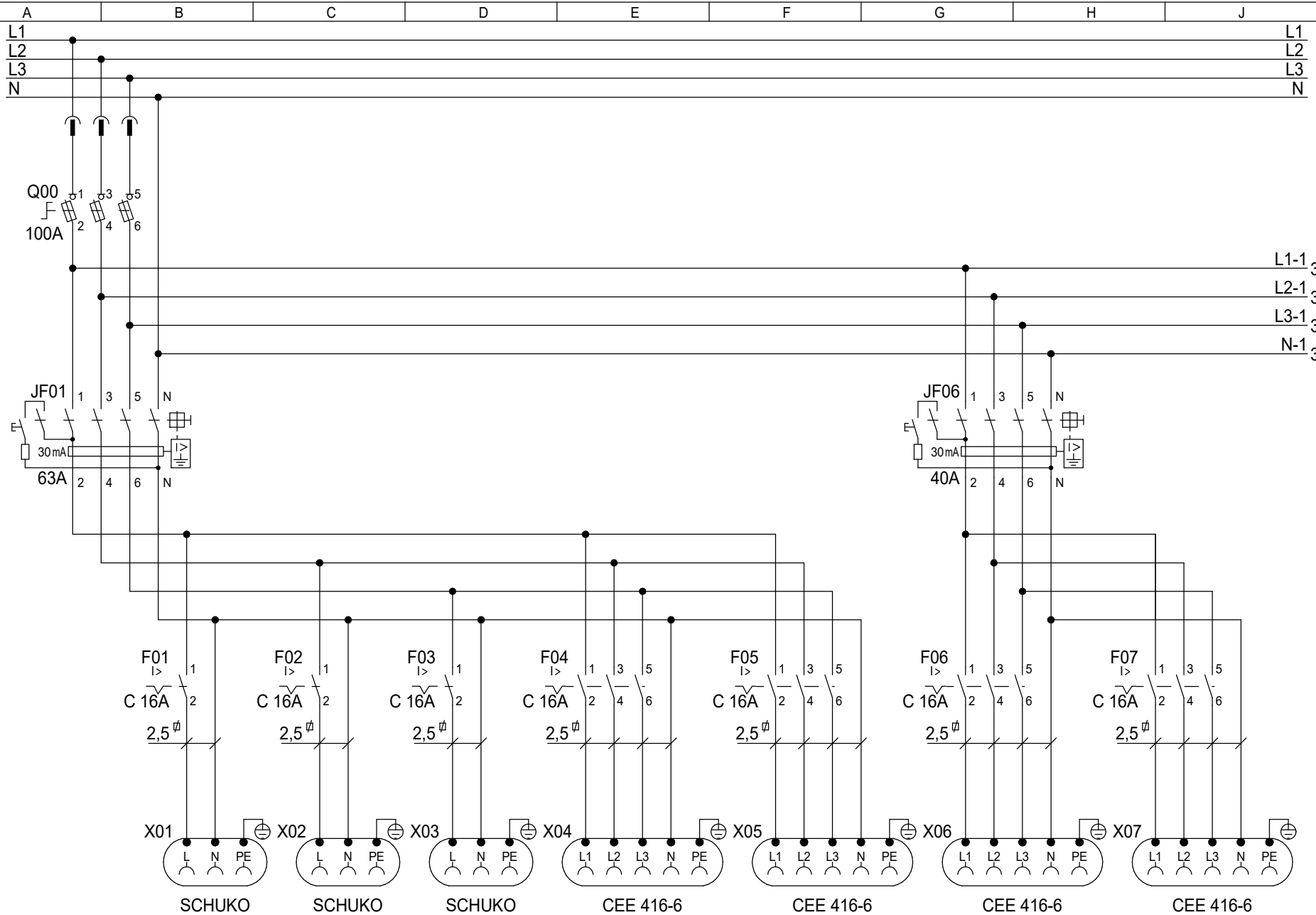
VIKT/WEIGHT
15 kg

This drawing is property of El-Björn. May not be copied, shown or distributed without our written permission.

UMK 100//36-3 EN



RITAD AV/DRAWN BY CG	DATUM/DATE 190130	NEXT SHEET 2	SHEET 1
SIGN	REVISION/ISSUE A*	RITNING NR./DRAWING F23012	



L1-1 3A
 L2-1 3A
 L3-1 3A
 N-1 3A

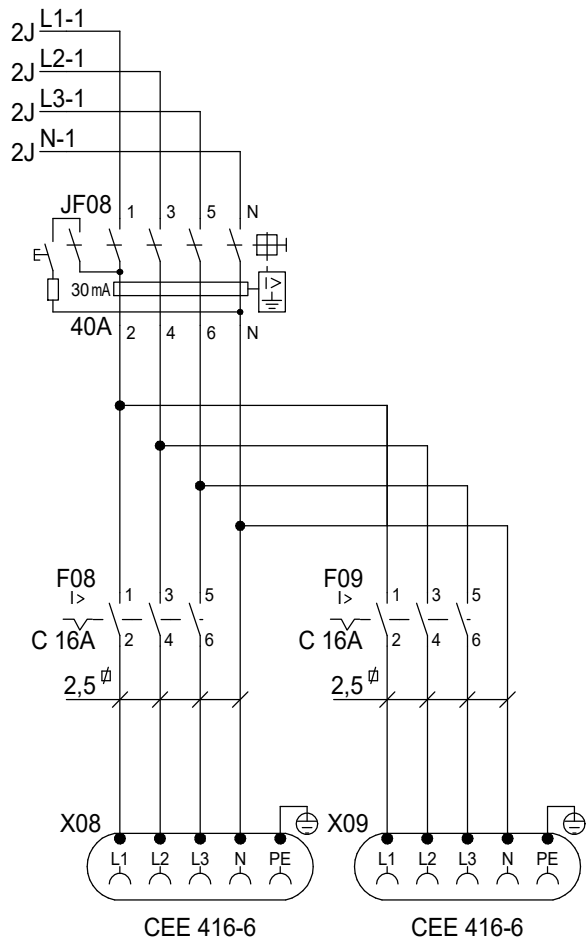
ARTIKELNR / ARTICLE NO. F23012	
MÄRKSTRÖM / CURRENT RATING 100 A	
SPÄNNING / VOLTAGE 400 V	
MEASURING EQUIPMENT	
CURR- TRAF0- SPACE	ENERGY- METER- SPACE
FAST ANSLUTNING/ FIXED CONNECTIONS	
<125A	>125A
CEE-OUTLETS 3-POLE	
16A	32A 63A 125A
SCHUKO OUTLETS	
16A	
3	
CEE-OUTLETS 4-POLE	
16A	32A 63A 125A
CEE-OUTLETS 5-POLE/400V	
16A	32A 63A 125A
6	
JFB/RCD/RCBO	
0,01A	0,03A 0,1A
3	
JFB/RCD/RCBO	
0,3A	0,5A Variable
VIKT/WEIGHT	
15 kg	

This drawing is property of El-Björn. May not be copied, shown or distributed without our written permission.

UMK 100//36-3 EN



RITAD AV/DRAWN BY CG	DATUM/DATE 190130	NEXT SHEET 3	SHEET 2
SIGN	REVISION/ISSUE A*	RITINGS NR./DRAWING F23012	



ARTIKELNR /
ARTICLE NO.
F23012

MÄRKSTRÖM /
CURRENT RATING
100 A

SPÄNNING /
VOLTAGE
400 V

MEASURING
EQUIPMENT
CURR-
TRAF0-
SPACE ENERGY-
METER-
SPACE

FAST ANSLUTNING /
FIXED CONNECTIONS
<125A >125A

CEE-OUTLETS
3-POLE
16A 32A 63A 125A

SCHUKO OUTLETS
16A
3

CEE-OUTLETS
4-POLE
16A 32A 63A 125A

CEE-OUTLETS
5-POLE/400V
16A 32A 63A 125A
6

JFB/RCD/RCBO
0,01A 0,03A 0,1A
3

JFB/RCD/RCBO
0,3A 0,5A Variable

VIKT/WEIGHT
15 kg

This drawing is property of El-Björn. May not be copied, shown or distributed without our written permission.

UMK 100//36-3 EN



RITAD AV/DRAWN BY CG	DATUM/DATE 190130	NEXT SHEET 4	SHEET 3
SIGN	REVISION/ISSUE A*	RITINGS NR./DRAWING F23012	

A	B	C	D	E	F	G	H	J	K
PC.	Position	Description	Type	Manufacturer	Data	Article No.	E-number(SE)		ARTIKELNR / ARTICLE NO. F23012
1	-	Beröringsskydd	UMK 6320	El-Björn		83010			MÄRKSTRÖM / CURRENT RATING 100 A
1		Svep	UMK 3320	El-Björn		83011			SPÄNNING / VOLTAGE 400 V
1		Uttagsplåt	UMK 6320	El-Björn		83013			MEASURING EQUIPMENT CURR.-TRAFO-SPACE ENERGY-METER-SPACE
1		Direktanslutning	DS-400	ABB	400A	83531			FAST ANSLUTNING / FIXED CONNECTIONS <125A >125A
3	F01-F03	MCB	iC60L 1P 25kA	Schneider Electric	C 16A	A9F94116	2112387		CEE-OUTLETS 3-POLE 16A 32A 63A 125A
6	F04-F09	MCB	iC60L 3P 25kA	Schneider Electric	C 16A	A9F94316	2112394		
1	JF01	RCD	iID 4P A	Schneider Electric	63A, 30mA	A9Z21463	2164970		SCHUKO OUTLETS 16A 3
2	JF06, JF08	RCD	iID 4P A	Schneider Electric	40A, 30mA	A9Z21440	2164955		CEE-OUTLETS 4-POLE 16A 32A 63A 125A
1	Q00	Säkringslastfrånskiljare	00.ST8S01	M Schneider		2.031.000			CEE-OUTLETS 5-POLE/400V 16A 32A 63A 125A 6
3	X01-X03	Schukouttag	35218, Typ F, Skruv	Mennekes	16A, 230V, IP54	11020EB			JFB/RCD/RCBO 0,01A 0,03A 0,1A 3
6	X04-X09	Paneluttag	416RU6	ABB	16A, 400V, IP44	416RU6	2416633		JFB/RCD/RCBO 0,3A 0,5A Variable
									VIKT/WEIGHT 15 kg

This drawing is property of El-Björn. May not be copied, shown or distributed without our written permission.

UMK 100//36-3 EN



RITAD AV/DRAWN BY CG	DATUM/DATE 190130	NEXT SHEET	SHEET 4
SIGN	REVISION/ISSUE A*	RITNING NR./DRAWING F23012	